

---

# **CV32E40S User Manual**

**OpenHW Group**

**Sep 26, 2022**



# CONTENTS:

<b>1</b>	<b>Changelog</b>	<b>1</b>
1.1	instruction_obi_integrity: Added instruction OBI integrity checks . . . . .	1
1.2	0.5.0 . . . . .	1
1.3	0.4.0 . . . . .	1
1.4	0.3.0 . . . . .	1
1.5	0.2.0 . . . . .	1
1.6	0.1.0 . . . . .	1
<b>2</b>	<b>Introduction</b>	<b>3</b>
2.1	License . . . . .	3
2.2	Standards Compliance . . . . .	4
2.3	Synthesis guidelines . . . . .	6
2.3.1	ASIC Synthesis . . . . .	6
2.3.2	FPGA Synthesis . . . . .	6
2.4	Verification . . . . .	6
2.5	Contents . . . . .	7
2.6	History . . . . .	7
2.7	References . . . . .	7
2.8	Contributors . . . . .	8
<b>3</b>	<b>Getting Started with CV32E40S</b>	<b>9</b>
3.1	Clock Gating Cell . . . . .	9
3.2	Register Cells . . . . .	9
<b>4</b>	<b>Core Integration</b>	<b>11</b>
4.1	Synthesis Optimization . . . . .	11
4.2	Instantiation Template . . . . .	11
4.3	Parameters . . . . .	14
4.4	Interfaces . . . . .	15
<b>5</b>	<b>Pipeline Details</b>	<b>17</b>
5.1	Multi- and Single-Cycle Instructions . . . . .	17
5.2	Hazards . . . . .	19
<b>6</b>	<b>Instruction Fetch</b>	<b>21</b>
6.1	Misaligned Accesses . . . . .	22
6.2	Protocol . . . . .	22
6.3	Interface integrity . . . . .	24
<b>7</b>	<b>Load-Store-Unit (LSU)</b>	<b>25</b>
7.1	Misaligned Accesses . . . . .	26

7.2	Protocol . . . . .	26
7.3	Interface integrity . . . . .	26
7.4	Physical Memory Protection (PMP) Unit . . . . .	31
7.5	Write buffer . . . . .	31
<b>8</b>	<b>Xsecure extension</b>	<b>33</b>
8.1	Security alerts . . . . .	33
8.2	Data independent timing . . . . .	34
8.3	Dummy instruction insertion . . . . .	34
8.4	Random instruction for hint . . . . .	35
8.5	Register file ECC . . . . .	36
8.6	Hardened PC . . . . .	36
8.7	Hardened CSRs . . . . .	36
8.8	Interface integrity . . . . .	36
8.9	Bus protocol hardening . . . . .	39
8.10	Reduction of profiling infrastructure . . . . .	39
<b>9</b>	<b>Physical Memory Attribution (PMA)</b>	<b>41</b>
9.1	Address range . . . . .	41
9.2	Main memory vs I/O . . . . .	41
9.3	Bufferable and Cacheable . . . . .	42
9.4	Integrity . . . . .	42
9.5	Default attribution . . . . .	43
<b>10</b>	<b>Physical Memory Protection (PMP)</b>	<b>45</b>
<b>11</b>	<b>Register File</b>	<b>47</b>
11.1	General Purpose Register File . . . . .	47
11.2	Error Detection . . . . .	47
<b>12</b>	<b>Fence.i external handshake</b>	<b>49</b>
<b>13</b>	<b>Sleep Unit</b>	<b>51</b>
13.1	Startup behavior . . . . .	51
13.2	WFI . . . . .	52
13.3	WFE . . . . .	52
<b>14</b>	<b>Control and Status Registers</b>	<b>53</b>
14.1	CSR Map . . . . .	53
14.2	CSR Descriptions . . . . .	56
14.2.1	Jump Vector Table (jvt) . . . . .	56
14.2.2	Machine Status (mstatus) . . . . .	57
14.2.3	Machine ISA (misa) . . . . .	58
14.2.4	Machine Interrupt Enable Register (mie) - SMCLIC == 0 . . . . .	59
14.2.5	Machine Interrupt Enable Register (mie) - SMCLIC == 1 . . . . .	59
14.2.6	Machine Trap-Vector Base Address (mtvec) - SMCLIC == 0 . . . . .	59
14.2.7	Machine Trap-Vector Base Address (mtvec) - SMCLIC == 1 . . . . .	60
14.2.8	Machine Trap Vector Table Base Address (mtvt) . . . . .	60
14.2.9	Machine Status (mstatush) . . . . .	61
14.2.10	Machine Counter Enable (mcounteren) . . . . .	61
14.2.11	Machine Environment Configuration (menvcfg) . . . . .	61
14.2.12	Machine State Enable 0 (mstateen0) . . . . .	62
14.2.13	Machine State Enable 1 (mstateen1) . . . . .	62
14.2.14	Machine State Enable 2 (mstateen2) . . . . .	62
14.2.15	Machine State Enable 3 (mstateen3) . . . . .	63

14.2.16	Machine Environment Configuration (menvcfgh)	63
14.2.17	Machine State Enable 0 (mstateen0h)	63
14.2.18	Machine State Enable 1 (mstateen1h)	63
14.2.19	Machine State Enable 2 (mstateen2h)	64
14.2.20	Machine State Enable 3 (mstateen3h)	64
14.2.21	Machine Counter-Inhibit Register (mcountinhibit)	64
14.2.22	Machine Performance Monitoring Event Selector (mhpmevent3 .. mhpmevent31)	64
14.2.23	Machine Scratch (mscratch)	65
14.2.24	Machine Exception PC (mepc)	65
14.2.25	Machine Cause (mcause) - SMCLIC == 0	65
14.2.26	Machine Cause (mcause) - SMCLIC == 1	65
14.2.27	Machine Trap Value (mtval)	66
14.2.28	Machine Interrupt Pending Register (mip) - SMCLIC == 0	66
14.2.29	Machine Interrupt Pending Register (mip) - SMCLIC == 1	67
14.2.30	Machine Next Interrupt Handler Address and Interrupt Enable (mnxti)	67
14.2.31	Machine Interrupt Status (mintstatus)	68
14.2.32	Machine Interrupt-Level Threshold (mintthresh)	68
14.2.33	Machine Scratch Swap for Priv Mode Change (mscratchcsw)	68
14.2.34	Machine Scratch Swap for Interrupt-Level Change (mscratchcsw1)	69
14.2.35	CLIC Base (mclibase)	69
14.2.36	Trigger Select Register (tselect)	69
14.2.37	Trigger Data 1 (tdata1)	70
14.2.38	Match Control Type 6 (mcontrol6)	70
14.2.39	Exception Trigger (etrigger)	71
14.2.40	Trigger Data Register 2 (tdata2)	71
14.2.41	Trigger Data Register 3 (tdata3)	71
14.2.42	Trigger Info (tinfo)	72
14.2.43	Trigger Control (tcontrol)	72
14.2.44	Debug Control and Status (dcsr)	72
14.2.45	Debug PC (dpc)	73
14.2.46	Debug Scratch Register 0/1 (dscratch0/1)	73
14.2.47	Machine Cycle Counter (mcycle)	74
14.2.48	Machine Instructions-Retired Counter (minstret)	74
14.2.49	Machine Performance Monitoring Counter (mhpmcounter3 .. mhpmcounter31)	74
14.2.50	Upper 32 Machine Cycle Counter (mcycleh)	74
14.2.51	Upper 32 Machine Instructions-Retired Counter (minstreth)	75
14.2.52	Upper 32 Machine Performance Monitoring Counter (mhpmcounter3h .. mhpmcounter31h)	75
14.2.53	CPU Control (cpuctrl)	75
14.2.54	Secure Seed 0	76
14.2.55	Secure Seed 1	76
14.2.56	Secure Seed 2	76
14.2.57	Machine Vendor ID (mvendorid)	76
14.2.58	Machine Architecture ID (marchid)	77
14.2.59	Machine Implementation ID (mimpid)	77
14.2.60	Hardware Thread ID (mhartid)	77
14.2.61	Machine Configuration Pointer (mconfigptr)	77
14.2.62	Machine Security Configuration (mseccfg)	78
14.2.63	Machine Security Configuration (mseccfgh)	78
14.2.64	PMP Configuration (pmpcfg0-pmpcfg15)	78
14.2.65	PMP Address (pmpaddr0 - pmpaddr63)	79
14.3	Hardened CSRs	80
<b>15</b>	<b>Performance Counters</b>	<b>81</b>
15.1	Controlling the counters from software	81

15.2	Time Registers (time(h))	81
<b>16</b>	<b>Exceptions and Interrupts</b>	<b>83</b>
16.1	Exceptions	83
16.2	Non Maskable Interrupts	84
16.3	Basic Interrupt Architecture	85
16.3.1	Interrupt Interface	85
16.3.2	Interrupts	86
16.3.3	Nested Interrupt Handling	87
16.4	CLIC Interrupt Architecture	87
16.4.1	Interrupt Interface	87
16.4.2	Interrupts	88
16.4.3	Nested Interrupt Handling	88
<b>17</b>	<b>Debug &amp; Trigger</b>	<b>89</b>
17.1	Interface	90
17.2	Core Debug Registers	91
17.3	Debug state	91
17.4	EBREAK Behavior	94
17.4.1	Scenario 1 : Enter Exception	94
17.4.2	Scenario 2 : Enter Debug Mode	94
17.4.3	Scenario 3 : Exit Program Buffer & Restart Debug Code	95
<b>18</b>	<b>RISC-V Formal Interface</b>	<b>97</b>
18.1	New Additions	97
18.2	Compatibility	98
18.3	Trace output file	102
18.4	Trace output format	103
<b>19</b>	<b>CORE-V Instruction Set Extensions</b>	<b>105</b>
19.1	Custom instructions	105
19.2	Custom CSRs	105
<b>20</b>	<b>Core Versions and RTL Freeze Rules</b>	<b>107</b>
20.1	What happens after RTL Freeze?	107
20.1.1	A bug is found	107
20.1.2	RTL changes on non-verified yet parameters	107
20.1.3	PPA optimizations and new features	107
20.2	Released core versions	108
<b>21</b>	<b>Glossary</b>	<b>109</b>
	<b>Bibliography</b>	<b>111</b>

## CHANGELOG

### **1.1 instruction\_obi\_integrity: Added instruction OBI integrity checks**

*Released on 2022-09-21 - [GitHub](#)*

### **1.2 0.5.0**

*Released on 2022-08-26 - [GitHub](#)*

### **1.3 0.4.0**

*Released on 2022-06-07 - [GitHub](#)*

### **1.4 0.3.0**

*Released on 2022-03-29 - [GitHub](#)*

### **1.5 0.2.0**

*Released on 2022-03-18 - [GitHub](#)*

### **1.6 0.1.0**

*Released on 2022-02-16 - [GitHub](#)*





INTRODUCTION

CV32E40S is a 4-stage in-order 32-bit RISC-V processor core. Figure 2.1 shows a block diagram of the core.

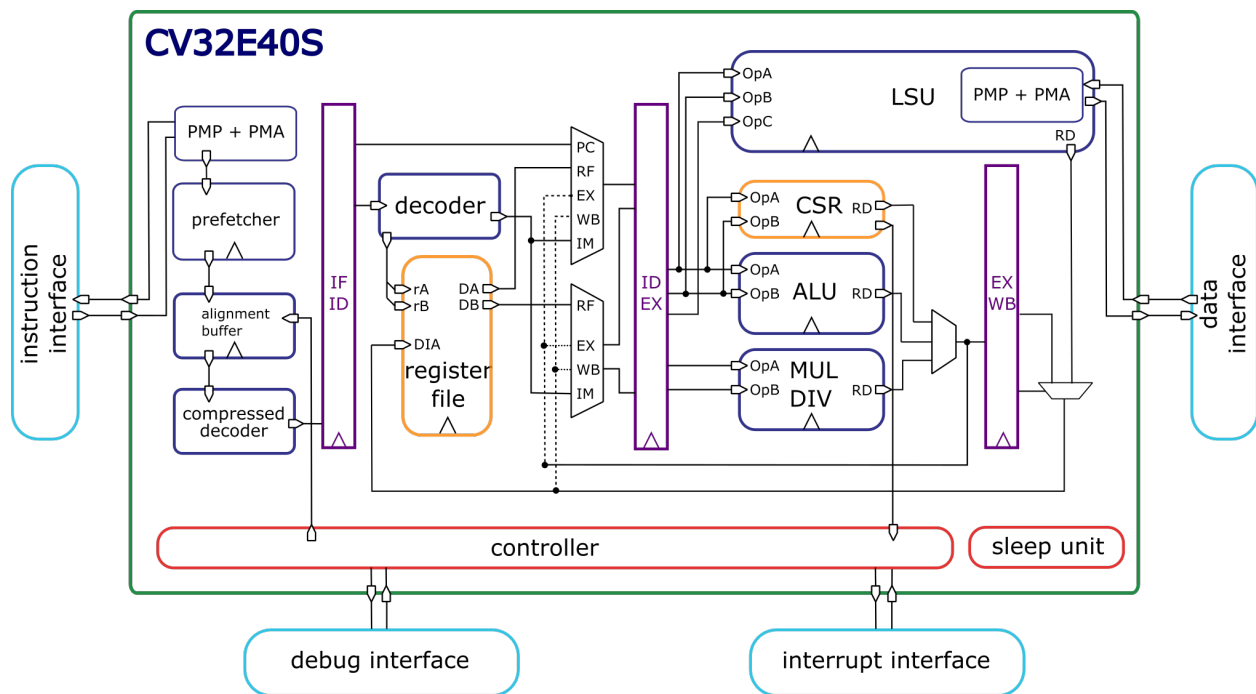


Figure 2.1: Block Diagram of CV32E40S RISC-V Core

2.1 License

Copyright 2020 OpenHW Group.

Copyright 2018 ETH Zurich and University of Bologna.

Copyright and related rights are licensed under the Solderpad Hardware License, Version 0.51 (the “License”); you may not use this file except in compliance with the License. You may obtain a copy of the License at <http://solderpad.org/licenses/SHL-0.51>. Unless required by applicable law or agreed to in writing, software, hardware and materials distributed under this License is distributed on an “AS IS” BASIS, WITHOUT WARRANTIES OR CONDITIONS OF ANY KIND, either express or implied. See the License for the specific language governing permissions and limitations under the License.

## 2.2 Standards Compliance

CV32E40S is a standards-compliant 32-bit RISC-V processor. It follows these specifications:

Many features in the RISC-V specification are optional, and CV32E40S can be parameterized to enable or disable some of them.

CV32E40S supports one of the following base integer instruction sets from [RISC-V-UNPRIV].

Table 2.1: CV32E40S Base Instruction Set

Base Integer Instruction Set	Version	Configurability
<b>RV32I:</b> RV32I Base Integer Instruction Set	2.1	optionally enabled based on RV32 parameter
<b>RV32E:</b> RV32E Base Integer Instruction Set	1.9 (not ratified yet)	optionally enabled based on RV32 parameter

In addition, the following standard instruction set extensions are available from [RISC-V-UNPRIV], [RISC-V-ZBA\_ZBB\_ZBC\_ZBS], [RISC-V-CRYPTO] and [RISC-V-ZCA\_ZCB\_ZCMB\_ZCMP\_ZCMT].

Table 2.2: CV32E40S Standard Instruction Set Extensions

Standard Extension	Version	Configurability
<b>C</b> : Standard Extension for Compressed Instructions	2.0	always enabled
<b>M</b> : Standard Extension for Integer Multiplication and Division	2.0	optionally enabled with the M_EXT parameter
<b>Zicsr</b> : Control and Status Register Instructions	2.0	always enabled
<b>Zifencei</b> : Instruction-Fetch Fence	2.0	always enabled
<b>Zca</b> : Subset of the standard <b>Zc</b> Code-Size Reduction extension consisting of a subset of <b>C</b> with the FP load/stores removed.	v0.70.5 (not ratified yet; version will change)	always enabled
<b>Zcb</b> : Subset of the standard <b>Zc</b> Code-Size Reduction extension consisting of simple operations.	v0.70.5 (not ratified yet; version will change)	always enabled
<b>Zcmb</b> : Subset of the standard <b>Zc</b> Code-Size Reduction extension consisting of load/store byte/half which overlap with <b>c.fld</b> , <b>c.fldsp</b> , <b>c.fsd</b> .	v0.70.5 (not ratified yet; version will change)	always enabled
<b>Zcmp</b> : Subset of the standard <b>Zc</b> Code-Size Reduction extension consisting of push/pop and double move which overlap with <b>c.fsdsp</b> .	v0.70.5 (not ratified yet; version will change)	always enabled
<b>Zcmt</b> : Subset of the standard <b>Zc</b> Code-Size Reduction extension consisting of table jump.	v0.70.5 (not ratified yet; version will change)	always enabled
<b>Zba</b> : Bit Manipulation Address calculation instructions	Version 1.0.0	optionally enabled with the B_EXT parameter
<b>Zbb</b> : Bit Manipulation Base instructions	Version 1.0.0	optionally enabled with the B_EXT parameter
<b>Zbc</b> : Bit Manipulation Carry-Less Multiply instructions	Version 1.0.0	optionally enabled with the B_EXT parameter
<b>Zbs</b> : Bit Manipulation Bit set, Bit clear, etc. instructions	Version 1.0.0	optionally enabled with the B_EXT parameter
<b>Zkt</b> : Data Independent Execution Latency	Version 1.0.0	always enabled
<b>Zbkc</b> : Constant time Carry-Less Multiply	Version 1.0.0	optionally enabled with the B_EXT parameter
<b>Zmmul</b> : Multiplication subset of the <b>M</b> extension	Version 0.1	optionally enabled with the M_EXT parameter

The following custom instruction set extensions are available.

Table 2.3: CV32E40S Custom Instruction Set Extensions

Custom Extension	Version	Configurability
<b>Xsecure</b> : Security extensions	1.0	always enabled

Most content of the RISC-V privileged specification is optional. CV32E40S currently supports the following features according to the RISC-V Privileged Specification [[RISC-V-PRIV](#)].

- M-Mode and U-mode
- All CSRs listed in *Control and Status Registers*
- Hardware Performance Counters as described in *Performance Counters*
- Trap handling supporting direct mode or vectored mode as described at *Exceptions and Interrupts*
- Physical Memory Attribution (PMA) as described in *Physical Memory Attribution (PMA)*
- Physical Memory Protection ([RISC-V-SMEPMP])
- State enable ([RISC-V-SMSTATEEN])

## 2.3 Synthesis guidelines

The CV32E40S core is fully synthesizable. It has been designed mainly for ASIC designs, but FPGA synthesis is supported as well.

All the files in the `rtl` and `rtl/include` folders are synthesizable. The top level module is called `cv32e40s_core`.

The user must provide a clock-gating module that instantiates the clock-gating cells of the target technology. This file must have the same interface and module name of the one provided for simulation-only purposes at `bhv/cv32e40s_sim_clock_gate.sv` (see *Clock Gating Cell*).

The `constraints/cv32e40s_core.sdc` file provides an example of synthesis constraints. No synthesis scripts are provided.

### 2.3.1 ASIC Synthesis

ASIC synthesis is supported for CV32E40S. The whole design is completely synchronous and uses positive-edge triggered flip-flops. A technology specific implementation of a clock gating cell as described in *Clock Gating Cell* needs to be provided.

### 2.3.2 FPGA Synthesis

FPGA synthesis is supported for CV32E40S. The user needs to provide a technology specific implementation of a clock gating cell as described in *Clock Gating Cell*.

## 2.4 Verification

The verification environment (testbenches, testcases, etc.) for the CV32E40S core can be found at [core-v-verif](#). It is recommended that you start by reviewing the [CORE-V Verification Strategy](#).

## 2.5 Contents

- *Getting Started with CV32E40S* discusses the requirements and initial steps to start using CV32E40S.
- *Core Integration* provides the instantiation template and gives descriptions of the design parameters as well as the input and output ports.
- *CV32E40S Pipeline* described the overall pipeline structure.
- The instruction and data interfaces of CV32E40S are explained in *Instruction Fetch* and *Load-Store-Unit (LSU)*, respectively.
- *Xsecure extension* describes the custom **Xsecure** security features.
- *Physical Memory Attribution (PMA)* describes the Physical Memory Attribution (PMA) unit.
- *Physical Memory Protection (PMP)* describes the Physical Memory Protection (PMP) unit.
- The register-file is described in *Register File*.
- *Sleep Unit* describes the Sleep unit.
- The control and status registers are explained in *Control and Status Registers*.
- *Performance Counters* gives an overview of the performance monitors and event counters available in CV32E40S.
- *Exceptions and Interrupts* deals with the infrastructure for handling exceptions and interrupts.
- *Debug & Trigger* gives a brief overview on the debug infrastructure.
- *RISC-V Formal Interface* gives a brief overview of the RVFI module.
- *Glossary* provides definitions of used terminology.

## 2.6 History

CV32E40S started its life as a fork of the CV32E40P from the OpenHW Group <<https://www.openhwgroup.org>>.

## 2.7 References

1. Gautschi, Michael, et al. “Near-Threshold RISC-V Core With DSP Extensions for Scalable IoT Endpoint Devices.” in IEEE Transactions on Very Large Scale Integration (VLSI) Systems, vol. 25, no. 10, pp. 2700-2713, Oct. 2017
2. Schiavone, Pasquale Davide, et al. “Slow and steady wins the race? A comparison of ultra-low-power RISC-V cores for Internet-of-Things applications.” 27th International Symposium on Power and Timing Modeling, Optimization and Simulation (PATMOS 2017)

## 2.8 Contributors

Andreas Traber (\*atraber@iis.ee.ethz.ch\*)

Michael Gautschi (\*gautschi@iis.ee.ethz.ch\*)

Pasquale Davide Schiavone (\*pschiavo@iis.ee.ethz.ch\*)

Arjan Bink (\*arjan.bink@silabs.com\*)

Paul Zavalney (\*paul.zavalney@silabs.com\*)

Micrel Lab and Multitherman Lab  
University of Bologna, Italy

Integrated Systems Lab  
ETH Zürich, Switzerland

## GETTING STARTED WITH CV32E40S

This page discusses initial steps and requirements to start using CV32E40S in your design.

### 3.1 Clock Gating Cell

CV32E40S requires clock gating cells. These cells are usually specific to the selected target technology and thus not provided as part of the RTL design. A simulation-only version of the clock gating cell is provided in `cv32e40s_sim_clock_gate.sv`. This file contains a module called `cv32e40s_clock_gate` that has the following ports:

- `clk_i`: Clock Input
- `en_i`: Clock Enable Input
- `scan_cg_en_i`: Scan Clock Gate Enable Input (activates the clock even though `en_i` is not set)
- `clk_o`: Gated Clock Output

And the following Parameters: \* LIB : Standard cell library (semantics defined by integrator)

Inside CV32E40S, the clock gating cell is used in `cv32e40s_sleep_unit.sv`.

The `cv32e40s_sim_clock_gate.sv` file is not intended for synthesis. For ASIC synthesis and FPGA synthesis the manifest should be adapted to use a customer specific file that implements the `cv32e40s_clock_gate` module using design primitives that are appropriate for the intended synthesis target technology.

### 3.2 Register Cells

CV32E40S requires instantiated registers for some logically redundant security features (such as *Hardened CSRs*).

Like clock gating cells these are specific to the target technology and are therefore not provided as part of the RTL design. Simulation-only versions for these cells are provided in `cv32e40s_sim_sffr.sv` and `cv32e40s_sim_sffs.sv`. `cv32e40s_sim_sffr.sv` contains the module `cv32e40s_sffr` with the following ports:

- `clk` : Clock
- `rst_n` : Reset
- `d_i` : Data input
- `q_o` : Flopped data output

And the following parameters: \* LIB : Standard cell library (semantics defined by integrator)

`cv32e40s_sim_sffs.sv` contains the module `cv32e40s_sffs` with the following ports:

- `clk` : Clock
- `set_n` : Set (i.e., reset value == 1)
- `d_i` : Data input
- `q_o` : Flopped data output

And the following parameters: \* LIB : Standard cell library (semantics defined by integrator)

These files are not intended for synthesis. For ASIC synthesis and FPGA synthesis the manifest should be adapted to use customer specific files that implement the `cv32e40s_sffr` and `cv32e40s_sffs` modules using design primitives that are appropriate for the intended synthesis target technology.



## CORE INTEGRATION

The main module is named `cv32e40s_core` and can be found in `cv32e40s_core.sv`. Below, the instantiation template is given and the parameters and interfaces are described.

### 4.1 Synthesis Optimization

**\*Important\*** The CV32E40S has security features that are logically redundant and likely to be optimised away in synthesis. Special care is therefore needed in synthesis scripts to ensure these features are preserved in the implemented netlist.

The implementaion of following features should be checked: - CSR shadow registers - Register file ECC

Implementing a netlist test verifying these features on the final netlist is recommended.

### 4.2 Instantiation Template

```
cv32e40s_core #(
    .LIB                (          0 ),
    .RV32               (        RV32I ),
    .B_EXT              (        NONE ),
    .M_EXT              (          M ),
    .DBG_NUM_TRIGGERS  (          1 ),
    .PMP_GRANULARITY   (          0 ),
    .PMP_NUM_REGIONS   (          0 ),
    .PMP_PMPNCFG_RV    ( PMP_PMPNCFG_RV[] ),
    .PMP_PMPADDR_RV    ( PMP_PMPADDR_RV[] ),
    .PMP_MSECCFG_RV    (   PMP_MSECCFG_RV ),
    .PMA_NUM_REGIONS   (          0 ),
    .PMA_CFG            (        PMA_CFG[] ),
    .SMCLIC             (          0 ),
    .SMCLIC_ID_WIDTH   (          5 ),
    .LFSR0_CFG          ( LFSR_CFG_DEFAULT ),
    .LFSR1_CFG          ( LFSR_CFG_DEFAULT ),
    .LFSR2_CFG          ( LFSR_CFG_DEFAULT )
) u_core (
    // Clock and reset
    .clk_i              (),
    .rst_ni             (),
    .scan_cg_en_i      (),
```

(continues on next page)

```
// Configuration
.boot_addr_i      (),
.mtvec_addr_i     (),
.dm_halt_addr_i   (),
.dm_exception_addr_i (),
.mhartid_i        (),
.mimpid_patch_i   (),

// Instruction memory interface
.instr_req_o      (),
.instr_reqpar_o   (),
.instr_gnt_i      (),
.instr_gntpar_i   (),
.instr_addr_o     (),
.instr_memtype_o  (),
.instr_prot_o     (),
.instr_achk_o     (),
.instr_dbg_o      (),
.instr_rvalid_i   (),
.instr_rvalidpar_i (),
.instr_rdata_i    (),
.instr_err_i      (),
.instr_rchk_i     (),

// Data memory interface
.data_req_o       (),
.data_reqpar_o    (),
.data_gnt_i       (),
.data_gntpar_i    (),
.data_addr_o      (),
.data_be_o        (),
.data_memtype_o   (),
.data_prot_o      (),
.data_dbg_o       (),
.data_wdata_o     (),
.data_we_o        (),
.data_achk_o      (),
.data_rvalid_i    (),
.data_rvalidpar_i (),
.data_rdata_i     (),
.data_err_i       (),
.data_rchk_i      (),

// Cycle
.mcycle_o         (),

// Interrupt interface
.irq_i            (),

.clic_irq_i       (),
.clic_irq_id_i    ()
```

(continues on next page)

(continued from previous page)

```
.cllic_irq_level_i      (),
.cllic_irq_priv_i      (),
.cllic_irq_shv_i       (),

// Fencei flush handshake
.fencei_flush_req_o    (),
.fencei_flush_ack_i    (),

// Debug interface
.debug_req_i           (),
.debug_havereset_o     (),
.debug_running_o       (),
.debug_halted_o        (),
.debug_pc_valid_o      (),
.debug_pc_o            (),

// Alert interface
.alert_major_o         (),
.alert_minor_o         (),

// Special control signals
.fetch_enable_i        (),
.core_sleep_o          (),
.wu_wfe_i              ()
);
```

## 4.3 Parameters

Name	Type/Range	Default	Description
LIB	int	0	Standard cell library (semantics defined by integrator)
RV32	rv32_e	RV32I	Base Integer Instruction Set. RV32 = RV32I: RV32I Base Integer Instruction Set. RV32 = RV32E: RV32E Base Integer Instruction Set.
B_EXT	b_ext_e	NONE	Enable Bit Manipulation support. B_EXT = B_NONE: No Bit Manipulation instructions are supported. B_EXT = ZBA_ZBB_ZBS: Zba, Zbb and Zbs are supported. B_EXT = ZBA_ZBB_ZBC_ZBS: Zba, Zbb, Zbc and Zbs are supported.
M_EXT	m_ext_e	M	Enable Multiply / Divide support. M_EXT = M_NONE: No multiply / divide instructions are supported. M_EXT = ZMMUL: The multiplication subset of the M extension is supported. M_EXT = M: The M extension is supported.
DBG_NUM_TRIGGERS	int (0..4)	1	Number of debug triggers, see <i>Debug &amp; Trigger</i>
PMA_NUM_REGIONS	int (0..16)	0	Number of PMA regions
PMA_CFG[]	pma_cfg_t	PMA_REGION_DEFAULT	Default configuration. Array of pma_cfg_t with PMA_NUM_REGIONS entries, see <i>Physical Memory Attribution (PMA)</i>
PMP_GRANULARITY	int (0..31)	0	Sets minimum granularity of PMP address matching to $2^{\text{PMP\_GRANULARITY}+2}$ bytes.
PMP_NUM_REGIONS	int (0..64)	0	Number of PMP regions
PMP_PMPNCFG_RV[]	pmpncfg_t	PMP-NCFG_DEFAULT	Reset values for pmpncfg bitfields in pmpcfg CSRs. Array of pmpncfg_t with PMP_NUM_REGIONS entries, see <i>Physical Memory Protection (PMP)</i>
PMP_PMPADDR_RV[]	logic[31:0]	0	Reset values for pmpaddr CSRs. Array with PMP_NUM_REGIONS entries, see <i>Physical Memory Protection (PMP)</i>
PMP_MSECCFG_RV	msec-cfg_t	0	Reset value for msec-cfg CSR, see <i>Physical Memory Protection (PMP)</i>
SMCLIC	bit	0	Is Smclic supported?
SMCLIC_ID_WIDTH	int (1..10)	6	Width of clic_irq_id_i and clic_irq_id_o. The maximum number of supported interrupts in CLIC mode is $2^{\text{SMCLIC\_ID\_WIDTH}}$ . Trap vector table alignment is restricted as described in <i>Machine Trap Vector Table Base Address (mvtv)</i> .
LFSR0	lfsr_cfg_t	LFSR_CONFIG_DEFAULT	LFSR0 configuration, see <i>Xsecure extension</i> .
LFSR1	lfsr_cfg_t	LFSR_CONFIG_DEFAULT	LFSR1 configuration, see <i>Xsecure extension</i> .
LFSR2	lfsr_cfg_t	LFSR_CONFIG_DEFAULT	LFSR2 configuration, see <i>Xsecure extension</i> .

## 4.4 Interfaces

Signal(s)	Width	Dir	Description
clk_i	1	in	Clock signal
rst_ni	1	in	Active-low asynchronous reset
scan_cg_en_i	1	in	Scan clock gate enable. Design for test (DfT) related signal. Can be used during scan testing operation to force instantiated clock gate(s) to be enabled. This signal should be 0 during normal / functional operation.
boot_addr_i	32	in	Boot address. First program counter after reset = boot_addr_i. Must be word aligned. Do not change after enabling core via fetch_enable_i
mtvec_addr_i	32	in	mtvec address. Initial value for the address part of <i>Machine Trap-Vector Base Address (mtvec)</i> - SMCLIC == 0. Must be 128-byte aligned (i.e. mtvec_addr_i[6:0] = 0). Do not change after enabling core via fetch_enable_i
dm_halt_addr_i	32	in	Address to jump to when entering Debug Mode, see <i>Debug &amp; Trigger</i> . Must be word aligned. Do not change after enabling core via fetch_enable_i
dm_exception_addr_i	32	in	Address to jump to when an exception occurs when executing code during Debug Mode, see <i>Debug &amp; Trigger</i> . Must be word aligned. Do not change after enabling core via fetch_enable_i
mhartid_i	32	in	Hart ID, usually static, can be read from <i>Hardware Thread ID (mhartid)</i> CSR
mimpid_patch_i	4	in	Implementation ID patch. Must be static. Readable as part of <i>Machine Implementation ID (mimpid)</i> CSR.
instr_*	Instruction fetch interface, see <i>Instruction Fetch</i>		
data_*	Load-store unit interface, see <i>Load-Store-Unit (LSU)</i>		
mcycle_o	Cycle Counter Output		
irq_*	Interrupt inputs, see <i>Exceptions and Interrupts</i>		
clic*_i	CLIC interface, see <i>Exceptions and Interrupts</i>		
debug_*	Debug interface, see <i>Debug &amp; Trigger</i>		
alert_*	Alert interface, see <i>Xsecure extension</i>		
fetch_enable_i	1	in	Enable the instruction fetch of CV32E40S. The first instruction fetch after reset de-assertion will not happen as long as this signal is 0. fetch_enable_i needs to be set to 1 for at least one cycle while not in reset to enable fetching. Once fetching has been enabled the value fetch_enable_i is ignored.
core_sleep_o	1	out	Core is sleeping, see <i>Sleep Unit</i> .
wu_wfe_i	1	in	Wake-up for wfe, see <i>Sleep Unit</i> .

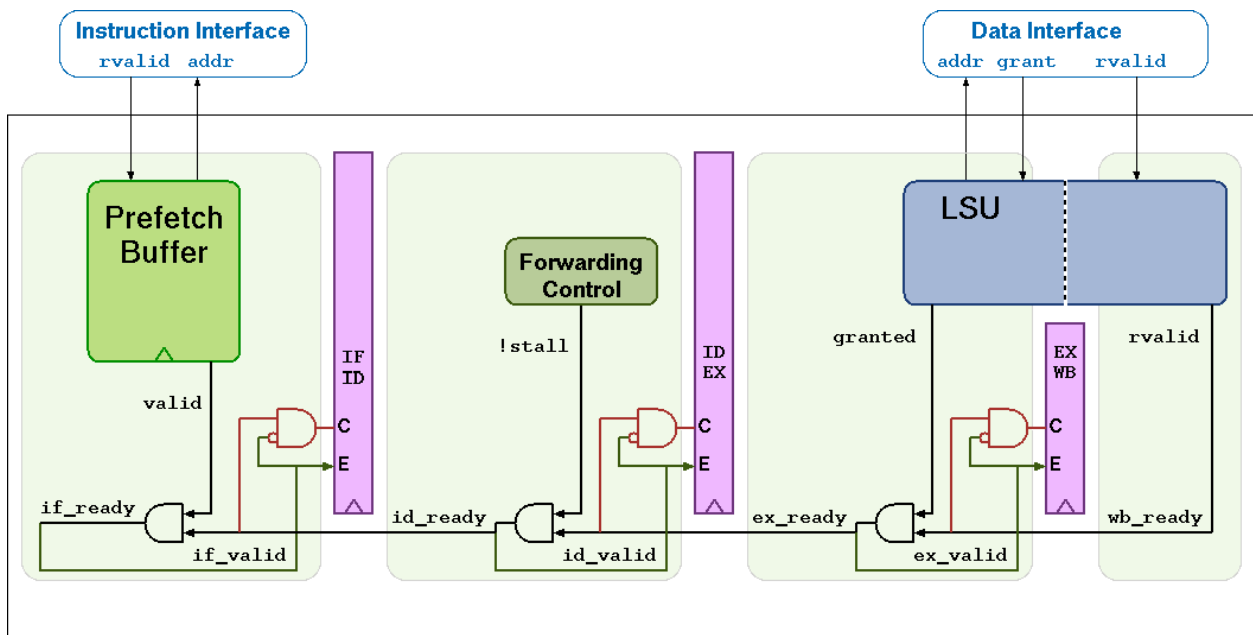


Figure 4.1: CV32E40S Pipeline

## PIPELINE DETAILS

CV32E40S has a 4-stage in-order completion pipeline, the 4 stages are:

### **Instruction Fetch (IF)**

Fetches instructions from memory via an aligning prefetch buffer, capable of fetching 1 instruction per cycle if the instruction side memory system allows. The IF stage also pre-decodes RVC instructions into RV32I base instructions. See *Instruction Fetch* for details.

### **Instruction Decode (ID)**

Decodes fetched instruction and performs required register file reads. Jumps are taken from the ID stage.

### **Execute (EX)**

Executes the instructions. The EX stage contains the ALU, Multiplier and Divider. Branches (with their condition met) are taken from the EX stage. Multi-cycle instructions will stall this stage until they are complete. The address generation part of the load-store-unit (LSU) is contained in EX as well.

### **Writeback (WB)**

Writes the result of ALU, Multiplier, Divider, or Load instructions instructions back to the register file.

## 5.1 Multi- and Single-Cycle Instructions

Table 5.1 shows the cycle count per instruction type. Some instructions have a variable time, this is indicated as a range e.g. 1..32 means that the instruction takes a minimum of 1 cycle and a maximum of 32 cycles. The cycle counts assume zero stall on the instruction-side interface and zero stall on the data-side memory interface.

Table 5.1: Cycle counts per instruction type

Instruction Type	Cycles	Description
Integer Computational	1	Integer Computational Instructions are defined in the RISC-V RV32I Base Integer Instruction Set.
CSR Access	4 (mstatus, mepc, mtvec, mcause, mcycle, minstret, mhpm-counter*, mcycleh, minstreth, mhpm-counter*h, mcountinhibit, mhpmevent*, dscr, dpc, dscratch0, dscratch1) 1 (all the other CSRs)	CSR Access Instructions are defined in 'Zicsr' of the RISC-V specification.
Load/Store	1 2 (non-word aligned word transfer) 2 (half-word transfer crossing word boundary)	Load/Store is handled in 1 bus transaction using both EX and WB stages for 1 cycle each. For misaligned word transfers and for halfword transfers that cross a word boundary 2 bus transactions are performed using EX and WB stages for 2 cycles each.
Multiplication	1 (mul) 4 (mulh, mulhsu, mulhu)	CV32E40S uses a single-cycle 32-bit x 32-bit multiplier with a 32-bit result. The multiplications with upper-word result take 4 cycles to compute.
Division Remainder	3 - 35 3 - 35 35 (epuc)	The number of cycles depends on the divider operand value (operand b), i.e. in the number of leading bits at 0. The minimum number of cycles is 3 when the divider has zero leading bits at 0 (e.g., 0x8000000). The maximum number of cycles is 35 when the divider is 0
<b>18</b>	trl.dataindt is set)	<b>Chapter 5. Pipeline Details</b>
Jump	3 4 (target	Jumps are performed in the ID stage. Upon a jump the IF stage (including prefetch buffer) is flushed. The new PC request will appear on the instruction-side memory interface the same



## 5.2 Hazards

The CV32E40S experiences a 1 cycle penalty on the following hazards.

- Load data hazard (in case the instruction immediately following a load uses the result of that load)
- Jump register (jalr) data hazard (in case that a jalr depends on the result of an immediately preceding non-load instruction)

The CV32E40S experiences a 2 cycle penalty on the following hazards.

- Jump register (jalr) data hazard (in case that a jalr depends on the result of an immediately preceding load instruction)



## INSTRUCTION FETCH

The Instruction Fetch (IF) stage of the CV32E40S is able to supply one instruction to the Instruction Decode (ID ) stage per cycle if the external bus interface is able to serve one instruction per cycle. In case of executing compressed instructions, on average less than one 32-bit instruction fetch will be needed per instruction in the ID stage.

For optimal performance and timing closure reasons, a prefetcher is used which fetches instructions via the external bus interface from for example an externally connected instruction memory or instruction cache.

The prefetch unit performs word-aligned 32-bit prefetches and stores the fetched words in an alignment buffer with three entries. As a result of this (speculative) prefetch, CV32E40S can fetch up to three words outside of the code region and care should therefore be taken that no unwanted read side effects occur for such prefetches outside of the actual code region.

Table 6.1 describes the signals that are used to fetch instructions. This interface is a simplified version of the interface that is used by the LSU, which is described in *Load-Store-Unit (LSU)*. The difference is that no writes are possible and thus it needs fewer signals.

Table 6.1: Instruction Fetch interface signals

Signal	Direction	Description
instr_req_o	output	Request valid, will stay high until instr_gnt_i is high for one cycle
instr_reqpar_o	output	Odd parity signal for instr_req_o
instr_gnt_i	input	The other side accepted the request. instr_addr_o, instr_memtype_o and instr_prot_o may change in the next cycle.
instr_gntpar_i	input	Odd parity signal for instr_gnt_i
instr_addr_o[31:0]	output	Address, word aligned
instr_memtype_o[1:0]	output	Memory Type attributes (cacheable, bufferable)
instr_prot_o[2:0]	output	Protection attributes
instr_achk_o[11:0]	output	Checksum for address phase signals
instr_dbg_o	output	Debug mode access
instr_rvalid_i	input	instr_rdata_i and instr_err_i are valid when instr_rvalid_i is high. This signal will be high for exactly one cycle per request.
instr_rvalidpar_i	input	Odd parity signal for instr_rvalid_i
instr_rdata_i[31:0]	input	Data read from memory
instr_err_i	input	An instruction interface error occurred
instr_rchk_i[4:0]	input	Checksum for response phase signals

## 6.1 Misaligned Accesses

Externally, the IF interface performs word-aligned instruction fetches only. Misaligned instruction fetches are handled by performing two separate word-aligned instruction fetches. Internally, the core can deal with both word- and half-word-aligned instruction addresses to support compressed instructions. The LSB of the instruction address is ignored internally.

## 6.2 Protocol

The instruction bus interface is compliant to the OBI protocol (see [OPENHW-OBI] for detailed signal and protocol descriptions). The CV32E40S instruction fetch interface does not implement the following optional OBI signals: we, be, wdata, auser, wuser, aid, ready, ruser, rid. These signals can be thought of as being tied off as specified in the OBI specification. The CV32E40S instruction fetch interface can cause up to two outstanding transactions.

Figure 6.1 and Figure 6.3 show example timing diagrams of the protocol.

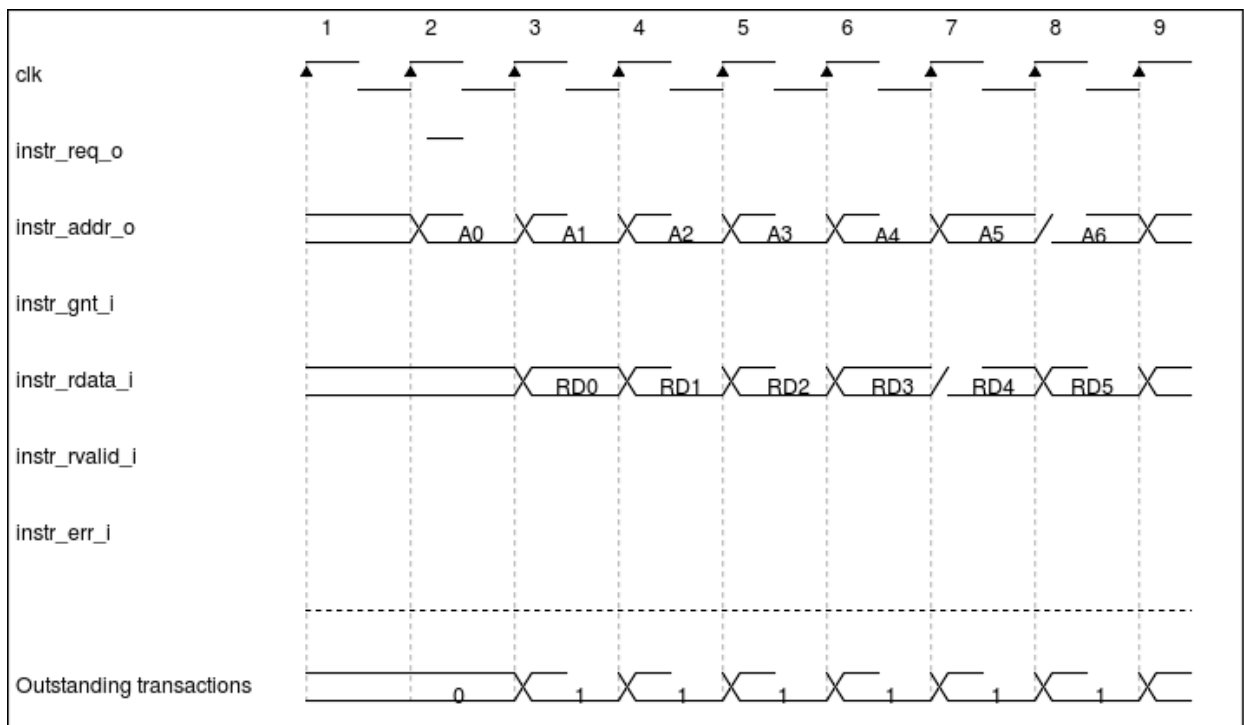


Figure 6.1: Back-to-back Memory Transactions

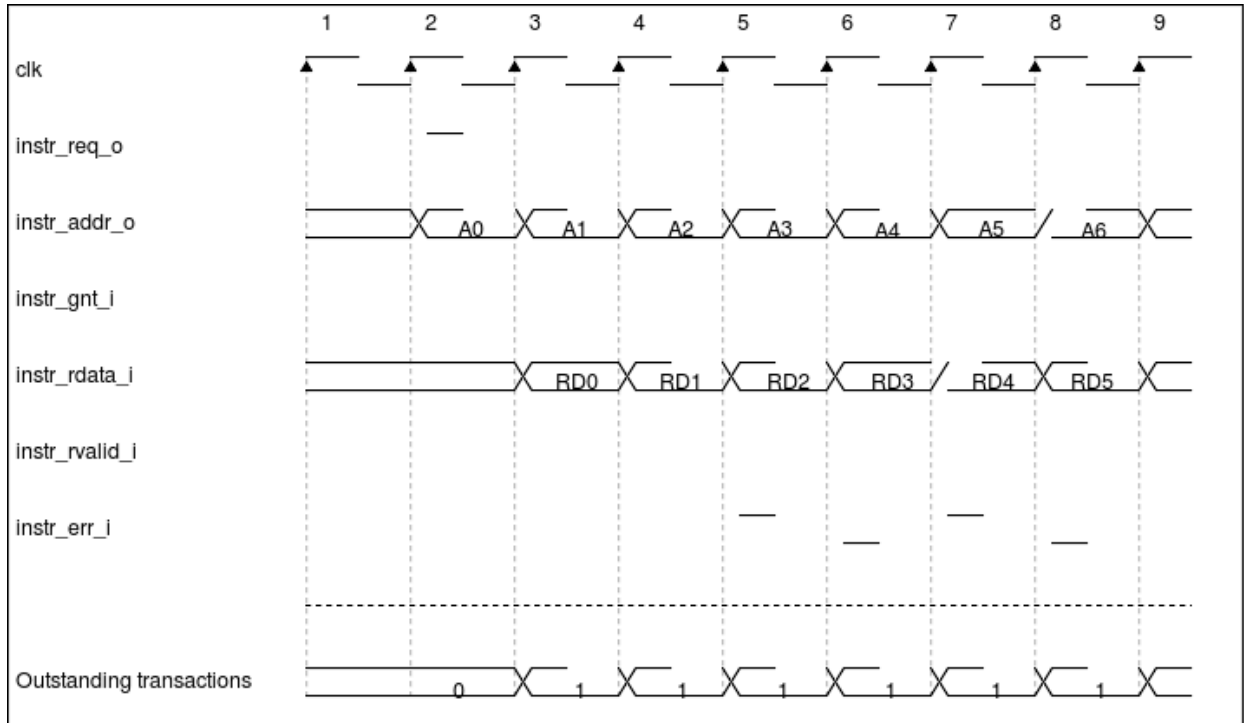


Figure 6.2: Back-to-back Memory Transactions with bus errors on A2/RD2 and A4/RD4

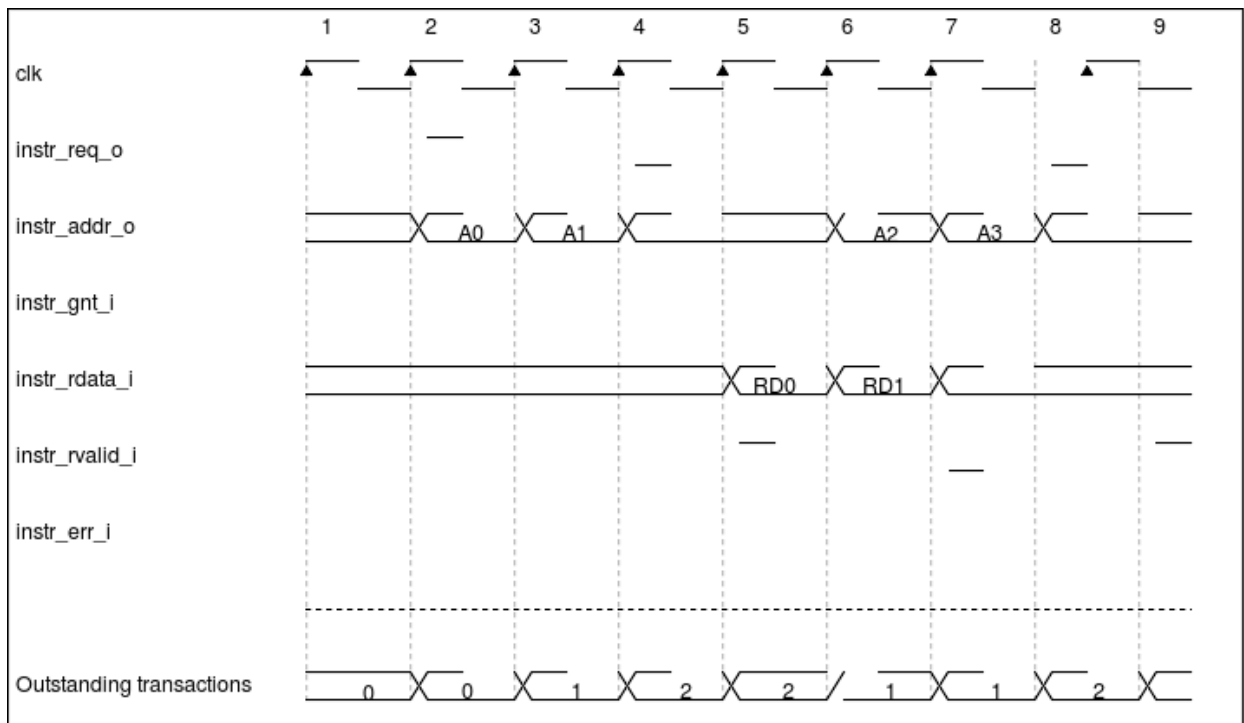


Figure 6.3: Multiple Outstanding Memory Transactions

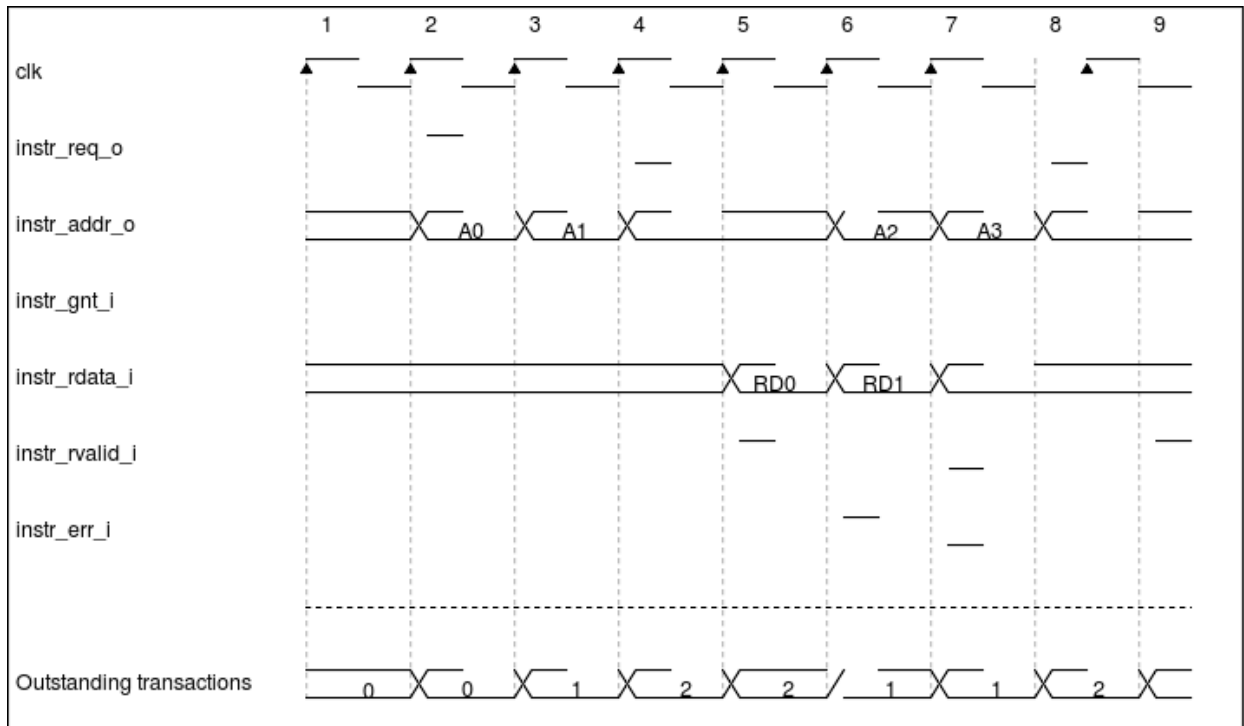


Figure 6.4: Multiple Outstanding Memory Transactions with bus error on A1/RD1

### 6.3 Interface integrity

The CV32E40S implements interface integrity by the `instr_reqpar_o`, `instr_gntpar_i`, `instr_rvalidpar_i`, `instr_achk_o` and `instr_rchk_i` signals (see *Interface integrity* and [OPENHW-OBI] for further details).

## LOAD-STORE-UNIT (LSU)

The Load-Store Unit (LSU) of the core takes care of accessing the data memory. Load and stores on words (32 bit), half words (16 bit) and bytes (8 bit) are supported.

Table 7.1 describes the signals that are used by the LSU.

Table 7.1: LSU interface signals

Signal	Direction	Description
data_req_o	output	Request valid, will stay high until data_gnt_i is high for one cycle
data_reqpar_o	output	Odd parity signal for data_req_o
data_gnt_i	input	The other side accepted the request. data_addr_o, data_be_o, data_mem_type_o[2:0], data_prot_o, data_wdata_o, data_we_o may change in the next cycle.
data_gntpar_i	input	Odd parity signal for data_gnt_i
data_addr_o[31:0]	output	Address, sent together with data_req_o.
data_be_o[3:0]	output	Byte Enable. Is set for the bytes to write/read, sent together with data_req_o.
data_mem_type_o[1:0]	output	Memory Type attributes (cacheable, bufferable), sent together with data_req_o.
data_prot_o[2:0]	output	Protection attributes, sent together with data_req_o.
data_dbg_o	output	Debug mode access, sent together with data_req_o.
data_wdata_o[31:0]	output	Data to be written to memory, sent together with data_req_o.
data_we_o	output	Write Enable, high for writes, low for reads. Sent together with data_req_o.
data_achk_o[11:0]	output	Checksum for address phase signals
data_rvalid_i	input	data_rvalid_i will be high for exactly one cycle to signal the end of the response phase of for both read and write transactions. For a read transaction data_rdata_i holds valid data when data_rvalid_i is high.
data_rvalidpar_i	input	Odd parity signal for data_rvalid_i
data_rdata_i[31:0]	input	Data read from memory. Only valid when data_rvalid_i is high.
data_err_i	input	A data interface error occurred. Only valid when data_rvalid_i is high.
data_rchk_i[4:0]	input	Checksum for response phase signals

## 7.1 Misaligned Accesses

Misaligned transactions are supported in hardware for Main memory regions, see *Physical Memory Attribution (PMA)*. For loads and stores in Main memory where the effective address is not naturally aligned to the referenced datatype (i.e., on a four-byte boundary for word accesses, and a two-byte boundary for halfword accesses) the load/store is performed as two bus transactions in case that the data item crosses a word boundary. A single load/store instruction is therefore performed as two bus transactions for the following scenarios:

- Load/store of a word for a non-word-aligned address
- Load/store of a halfword crossing a word address boundary

In both cases the transfer corresponding to the lowest address is performed first. All other scenarios can be handled with a single bus transaction.

Misaligned transactions are not supported in I/O regions and will result in an exception trap when attempted, see *Exceptions and Interrupts*.

## 7.2 Protocol

The data bus interface is compliant to the OBI protocol (see [OPENHW-OBI] for detailed signal and protocol descriptions). The CV32E40S data interface does not implement the following optional OBI signals: *auser*, *wuser*, *aid*, *rready*, *ruser*, *rid*. These signals can be thought of as being tied off as specified in the OBI specification. The CV32E40S data interface can cause up to two outstanding transactions.

The OBI protocol that is used by the LSU to communicate with a memory works as follows.

The LSU provides a valid address on *data\_addr\_o*, control information on *data\_we\_o*, *data\_be\_o* (as well as write data on *data\_wdata\_o* in case of a store) and sets *data\_req\_o* high. The memory sets *data\_gnt\_i* high as soon as it is ready to serve the request. This may happen at any time, even before the request was sent. After a request has been granted the address phase signals (*data\_addr\_o*, *data\_we\_o*, *data\_be\_o* and *data\_wdata\_o*) may be changed in the next cycle by the LSU as the memory is assumed to already have processed and stored that information. After granting a request, the memory answers with a *data\_rvalid\_i* set high if *data\_rdata\_i* is valid. This may happen one or more cycles after the request has been granted. Note that *data\_rvalid\_i* must also be set high to signal the end of the response phase for a write transaction (although the *data\_rdata\_i* has no meaning in that case). When multiple granted requests are outstanding, it is assumed that the memory requests will be kept in-order and one *data\_rvalid\_i* will be signalled for each of them, in the order they were issued.

Figure 7.1, Figure 7.2, Figure 7.3 and Figure 7.4 show example timing diagrams of the protocol.

## 7.3 Interface integrity

The CV32E40S implements interface integrity by the *data\_reqpar\_o*, *data\_gntpar\_i*, *data\_rvalidpar\_i*, *data\_achk\_o* and *data\_rchk\_i* signals (see *Interface integrity* and [OPENHW-OBI] for further details).



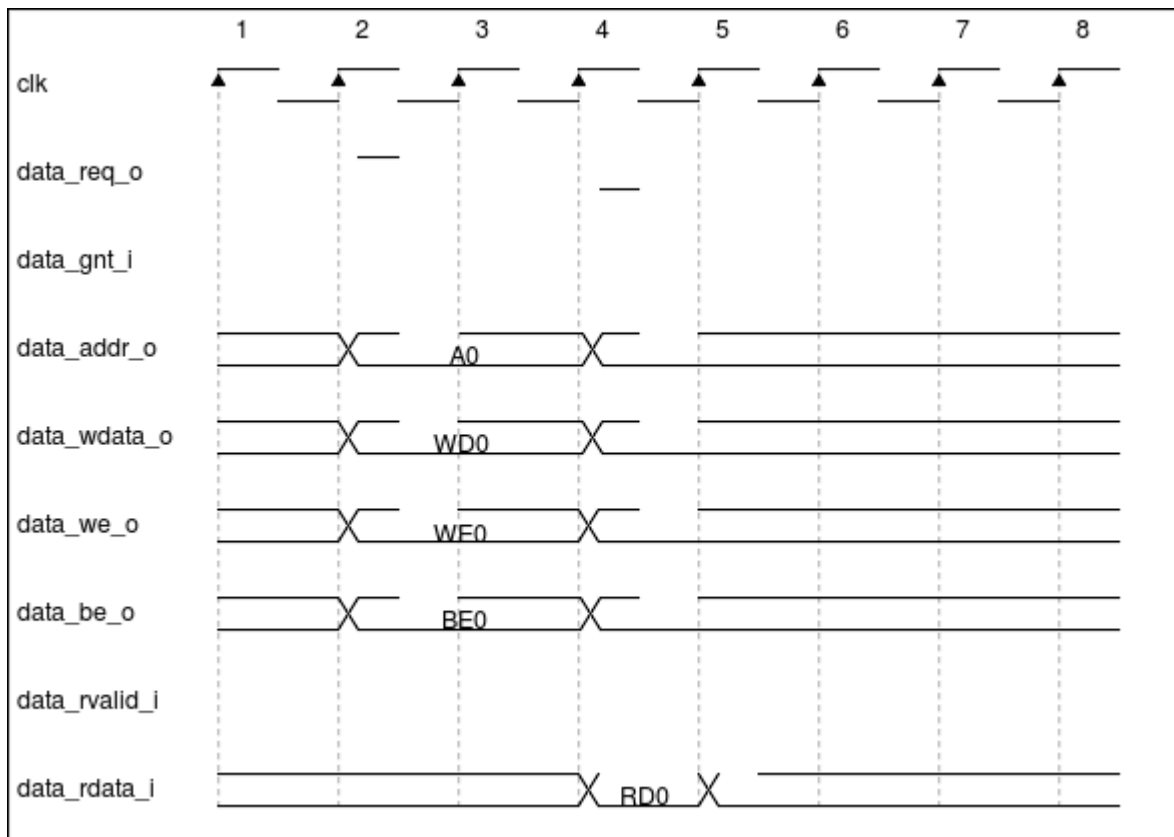


Figure 7.1: Basic Memory Transaction

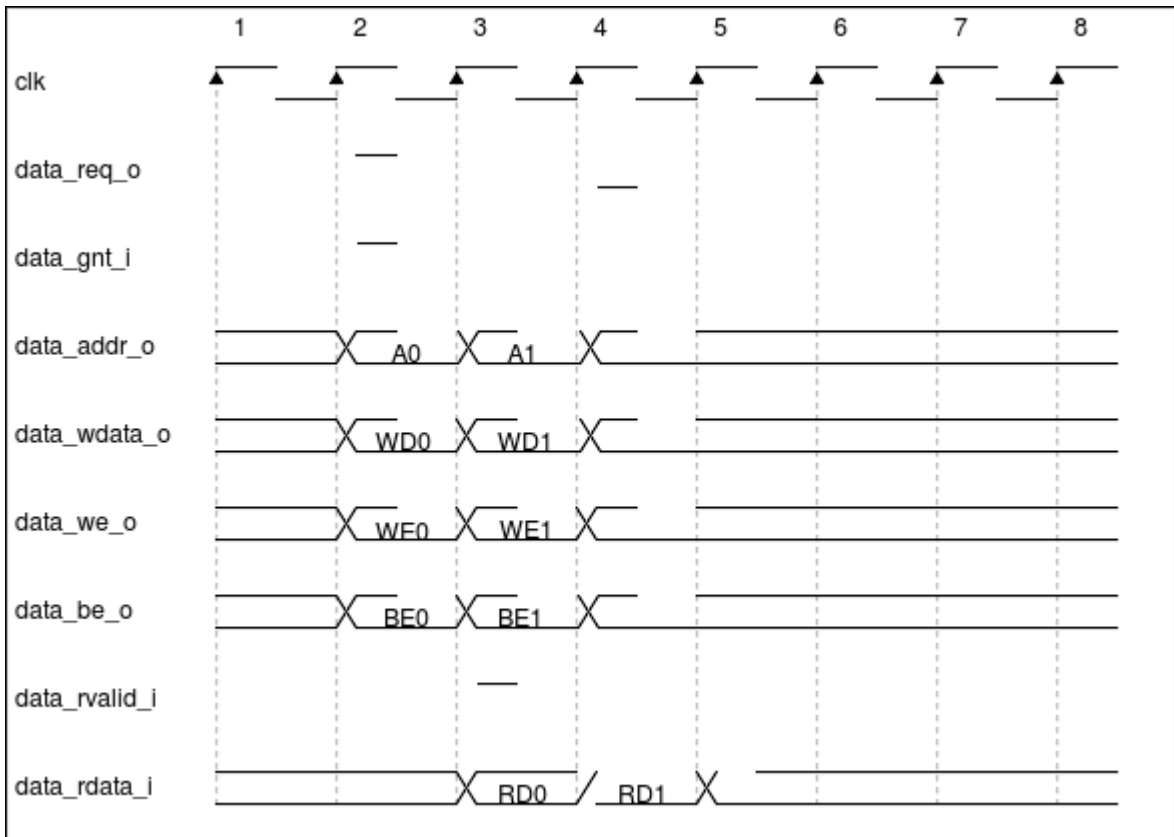


Figure 7.2: Back-to-back Memory Transactions

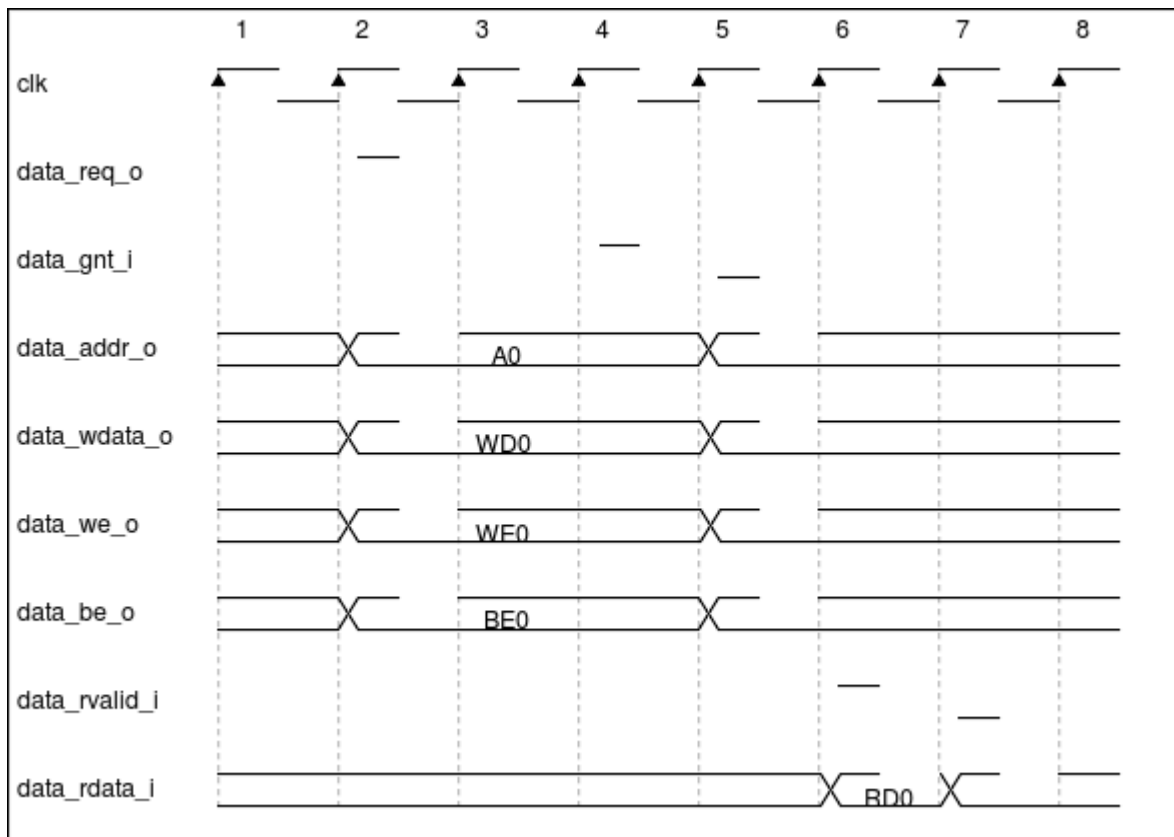


Figure 7.3: Slow Response Memory Transaction

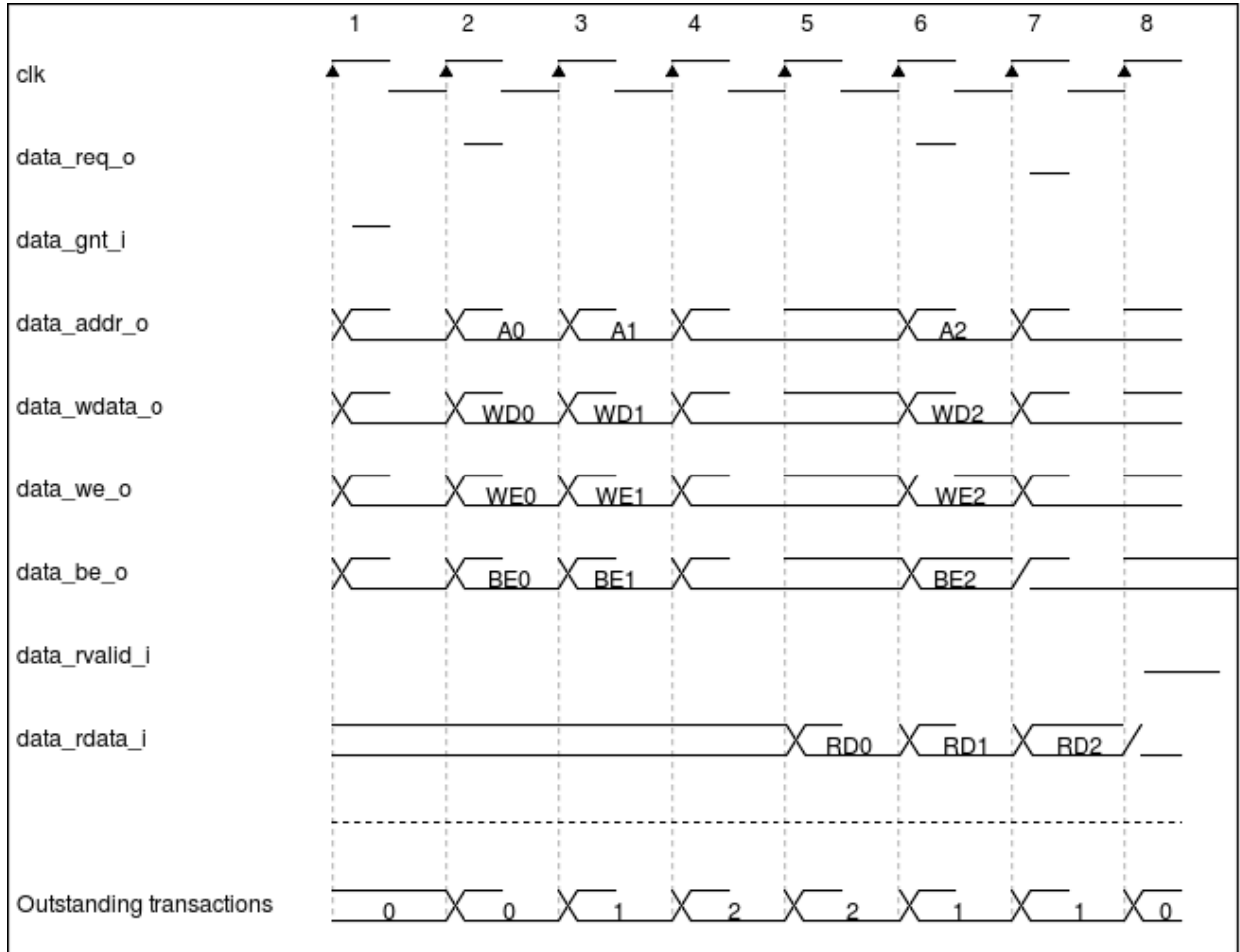


Figure 7.4: Multiple Outstanding Memory Transactions

---

## 7.4 Physical Memory Protection (PMP) Unit

The CV32E40S core has a PMP module which is optionally enabled. Such unit has a configurable number of entries (up to 16) and supports all the modes as TOR, NAPOT and NA4. Every fetch, load and store access executed in USER MODE are first filtered by the PMP unit which can possibly generated exceptions. For the moment, the MPRV bit in MSTATUS as well as the LOCK mechanism in the PMP are not supported.

## 7.5 Write buffer

CV32E40S contains a single entry write buffer that is used for bufferable transfers. A bufferable transfer is a write transfer originating from a store instruction, where the write address is inside a bufferable region defined by the PMA (*Physical Memory Attribution (PMA)*).

The write buffer (when not full) allows CV32E40S to proceed executing instructions without having to wait for `data_gnt_i = 1` and `data_rvalid_i = 1` for these bufferable transfers.

---

**Note:** On the OBI interface `data_gnt_i = 1` and `data_rvalid_i = 1` still need to be signaled for every transfer (as specified in [OPENHW-OBI]), also for bufferable transfers.

---

Bus transfers will occur in program order, no matter if transfers are bufferable and non-bufferable. Transactions in the write buffer must be completed before the CV32E40S is able to:

- Retire a fence instruction
- Retire a fence.i instruction
- Enter SLEEP mode



## XSECURE EXTENSION

CV32E40S has a custom extension called Xsecure, which encompass the following security related features:

- Security alerts (*Security alerts*).
- Data independent timing (*Data independent timing*).
- Dummy instruction insertion (*Dummy instruction insertion*).
- Random instruction for hint (*Random instruction for hint*).
- Register file ECC (*Register file ECC*).
- Hardened PC (*Hardened PC*).
- Hardened CSRs (*Hardened CSRs*).
- Interface integrity (*Interface integrity*).
- Bus protocol hardening (*Bus protocol hardening*).
- Reduction of profiling infrastructure (*Reduction of profiling infrastructure*).

### 8.1 Security alerts

CV32E40S has two alert outputs for signaling security issues: A major and a minor alert. The major alert (`alert_major_o`) indicates a critical security issue from which the core cannot recover. The minor alert (`alert_minor_o`) indicates potential security issues, which can be monitored by a system over time. These outputs can be used by external hardware to trigger security incident responses like for example a system wide reset or a memory erase. A security output is high for every clock cycle that the related security issue persists.

The following issues result in a major security alert on `alert_major_o`:

- Register file ECC error.
- Hardened PC error.
- Hardened CSR error.
- Instruction parity/checksum fault (i.e. only when triggering the related exception).
- Store parity/checksum fault (i.e. only when triggering the related NMI).
- Load parity/checksum fault NMI (i.e. only when triggering the related NMI).

The following issues result in a minor security alert on `alert_minor_o`:

- LFSR0, LFSR1, LFSR2 lockup.
- Instruction access fault (i.e. only when triggering the related exception).

- Illegal instruction fault (i.e. only when triggering the related exception).
- Load access fault (i.e. only when triggering the related exception).
- Store/AMO access fault (i.e. only when triggering the related exception).
- Instruction bus fault (i.e. only when triggering the related exception).
- Store bus fault NMI (i.e. only when triggering the related NMI).
- Load bus fault NMI (i.e. only when triggering the related NMI).

## 8.2 Data independent timing

Data independent timing is enabled by setting the `dataindtiming` bit in the `cpuctrl` CSR. This will make execution times of all instructions independent of the input data, making it more difficult for an external observer to extract information by observing power consumption or exploiting timing side-channels.

When `dataindtiming` is set, the `DIV`, `DIVU`, `REM` and `REMU` instructions will have a fixed (data independent) latency and branches will have a fixed latency as well, regardless of whether they are taken or not. See [CV32E40S Pipeline](#) for details.

Note that the addresses used by loads and stores will still provide a timing side-channel due to the following properties:

- Misaligned loads and stores differ in cycle count from aligned loads and stores.
- Stores to a bufferable address range react differently to wait states than stores to a non-bufferable address range.

Similarly the target address of branches and jumps will still provide a timing side-channel due to the following property:

- Branches and jumps to non-word-aligned non-RV32C instructions differ in cycle count from other branches and jumps.

These timing side-channels can largely be mitigated by imposing (branch target and data) alignment restrictions on the used software.

## 8.3 Dummy instruction insertion

Dummy instructions are inserted at random intervals into the execution pipeline if enabled via the `rnddummy` bit in the `cpuctrl` CSR. The dummy instructions have no functional impact on the processor state, but add difficult-to-predict timing and power disruptions to the executed code. This disruption makes it more difficult for an attacker to infer what is being executed, and also makes it more difficult to execute precisely timed fault injection attacks.

The frequency of injected instructions can be tuned via the `rnddummyfreq` bits in the `cpuctrl` CSR.

Table 8.1: Intervals for `rnddummyfreq` settings

<code>rnddummyfreq</code>	Interval
0000	Dummy instruction every 1 - 4 real instructions
0001	Dummy instruction every 1 - 8 real instructions
0011	Dummy instruction every 1 - 16 real instructions
0111	Dummy instruction every 1 - 32 real instructions
1111	Dummy instruction every 1 - 64 real instructions

Other `rnddummyfreq` values are legal as well, but will have a less predictable performance impact.



The frequency of the dummy instruction insertion is randomized using an LFSR (LFSR0). The dummy instruction itself is also randomized based on LFSR0 and is constrained to `add`, `mul`, and `bltu` instructions. The source data for the dummy instructions is obtained from LFSRs (LFSR1 and LFSR2) as opposed to sourcing it from the register file.

The initial seed and output permutation for the LFSRs can be set using the following parameters from the CV32E40S top-level:

- `LFSR0_CFG` for LFSR0.
- `LFSR1_CFG` for LFSR1.
- `LFSR2_CFG` for LFSR2.

These parameters are of the type `lfsr_cfg_t` which are described in [Table 8.2](#).

Table 8.2: LFSR Configuration Type `lfsr_cfg_t`

Field	Type	Description
<code>coeffs</code>	<code>logic[31:0]</code>	Coefficient controlling output permutation, must be non-zero
<code>default_seed</code>	<code>logic[31:0]</code>	Used as initial seed and for re-seeding in case of lockup, must be non-zero

Software can periodically re-seed the LFSRs with true random numbers (if available) via the `secureseed*` CSRs, making the insertion interval of dummy instructions much harder to predict.

---

**Note:** The user is recommended to pick maximum length LFSR configurations and must take care that writes to the `secureseed*` CSRs will not cause LFSR lockup. An LFSR lockup will result in a minor alert and will automatically cause a re-seed of the LFSR with the default seed from the related parameter.

---



---

**Note:** Dummy instructions do affect the cycle count as visible via the `mcycle` CSR, but they are not counted as retired instructions (so they do not affect the `minstret` CSR).

---

## 8.4 Random instruction for hint

The `slt x0, rs1, rs2` RV32I custom use hint is replaced by a random instruction if enabled via the `rndhint` bit in the `cpuctrl` CSR (and will act as a regular `nop` otherwise). The random instruction has no functional impact on the processor state (i.e. it is functionally equivalent to a `nop`, but it can result in different cycle count, instruction fetch and power behavior). The random instruction is randomized based on LFSR0 and is constrained to `add`, `mul`, and `bltu` instructions. The source data for the random instruction is obtained from LFSRs (LFSR1 and LFSR2) as opposed to sourcing it from the register file.

---

**Note:** The `slt x0, rs1, rs2` instruction affects the cycle count and retired instruction counts as visible via the `mcycle` CSR and `minstret` CSR, independent of the value of the `rndhint` bit.

---

## 8.5 Register file ECC

ECC checking is added to all reads of the register file, where a checksum is stored for each register file word. All 1-bit and 2-bit errors will be detected. This can be useful to detect fault injection attacks since the register file covers a reasonably large area of CV32E40S. No attempt is made to correct detected errors, but a major alert is raised upon a detected error for the system to take action (see *Security alerts*).

---

**Note:** This feature is logically redundant and might get partially or fully optimized away during synthesis. Special care might be needed and the final netlist must be checked to ensure that the ECC and correction logic is still present. A netlist test for this feature is recommended.

---

## 8.6 Hardened PC

PC hardening can be enabled via the `pcharden` bit in the `cpuctrl` CSR.

If enabled, then during sequential execution the IF stage PC is hardened by checking that it has the correct value compared to the ID stage with an offset determined by the compressed/uncompressed state of the instruction in ID.

In addition, the IF stage PC is then checked for correctness for potential non-sequential execution due to control transfer instructions. For jumps (including `mret`) and branches, this is done by recomputing the PC target and branch decision (incurring an additional cycle for non-taken branches).

Any error in the check for correct PC or branch/jump decision will result in a pulse on the `alert_major_o` pin.

## 8.7 Hardened CSRs

Critical CSRs (`jvt`, `mstatus`, `mtvec`, `pmpcfg`, `pmpaddr*`, `mseccfg*`, `cpuctrl`, `dcsr`, `mie`, `mepc`, `mtvt`, `mscratch`, `mintstatus`, `mintthresh`, `mscratchcsw`, `mscratchcswl` and `mclibase`) have extra glitch detection enabled. For these registers a second copy of the register is added which stores a complemented version of the main CSR data. A constant check is made that the two copies are consistent, and a major alert is signaled if not (see *Security alerts*).

---

**Note:** The shadow copies are logically redundant and are therefore likely to be optimized away during synthesis. Special care in the synthesis script is necessary (see *Register Cells*) and the final netlist must be checked to ensure that the shadow copies are still present. A netlist test for this feature is recommended.

---

## 8.8 Interface integrity

The OBI ([OPENHW-OBI]) bus interfaces have associated parity and checksum signals:

- CV32E40S will generate odd parity signals `instr_reqpar_o` and `data_reqpar_o` for `instr_req_o` and `data_req_o` respectively (see [OPENHW-OBI]).
- The environment is expected to drive `instr_gntpar_i`, `instr_rvalidpar_i`, `data_gntpar_i` and `data_rvalidpar_i` with odd parity for `instr_gnt_i`, `instr_rvalid_i`, `data_gnt_i` and `data_rvalid_i` respectively (see [OPENHW-OBI]).
- CV32E40S will generate checksums `instr_achk_o` and `data_achk_o` for the instruction OBI interface and the data OBI interface respectively with checksums as defined in [Table 8.3](#).

- The environment is expected to drive `instr_rchk_i` and `data_rchk_i` for the instruction OBI interface and the data OBI interface respectively with checksums as defined in [Table 8.4](#).

Table 8.3: Address phase checksum

Signal	Checksum computation	Comment
achk[0]	Even parity(addr[7:0])	
achk[1]	Even parity(addr[15:8])	
achk[2]	Even parity(addr[23:16])	
achk[3]	Even parity(addr[31:24])	
achk[4]	Odd parity(prot[2:0], memtype[1:0])	
achk[5]	Odd parity(be[3:0], we)	For the instruction interface be[3:0] = 4'b1111 and we = 1'b0 is used.
achk[6]	Odd parity(dbg)	
achk[7]	Even parity(atop[5:0])	atop[5:0] = 6'b0 as the <b>A</b> extension is not implemented.
achk[8]	Even parity(wdata[7:0])	For the instruction interface wdata[7:0] = 8'b0.
achk[9]	Even parity(wdata[15:8])	For the instruction interface wdata[15:8] = 8'b0.
achk[10]	Even parity(wdata[23:16])	For the instruction interface wdata[23:16] = 8'b0.
achk[11]	Even parity(wdata[31:24])	For the instruction interface wdata[31:24] = 8'b0.

**Note:** CV32E40S always generates its achk[11:8] bits dependent on wdata (even for read transactions). The achk[11:8] signal bits are however not required to be checked against wdata for read transactions (see [\[OPENHW-OBI\]](#)). Whether the environment performs these checks or not is platform specific.

**Note:** achk[11:8] are always valid for wdata[31:0] (even for sub-word transactions).

Table 8.4: Response phase checksum

Signal	Checksum computation	Comment
rchk[0]	Even parity(rdata[7:0])	
rchk[1]	Even parity(rdata[15:8])	
rchk[2]	Even parity(rdata[23:16])	
rchk[3]	Even parity(rdata[31:24])	
rchk[4]	Even parity(err, exokay)	exokay = 1'b0 as the <b>A</b> extension is not implemented.

**Note:** CV32E40S always allows its rchk[3:0] bits to be dependent on rdata (even for write transactions). CV32E40S however only checks its rdata signal bits against rchk[3:0] for read transactions (see [\[OPENHW-OBI\]](#)).

**Note:** When CV32E40S checks its rdata signal bits against rchk[3:0] it always checks all bits (even for sub-word transactions).

CV32E40S checks its OBI inputs against the related parity and checksum inputs (i.e. `instr_gntpar_i`, `data_gntpar_i`, `instr_rvalidpar_i`, `data_rvalidpar_i`, `instr_rchk_i` and `data_rchk_i`) as shown in [Table 8.5](#).

Integrity checking is only performed when both globally (`cpuctrl.integrity = 1`) and locally enabled (via PMA, see [Integrity](#)).

Table 8.5 specifies the generation of parity and checksum errors.

Table 8.5: Parity and checksum errors

Parity / Checksum signal	Expected value	Check enabled?	Checked when?
<code>instr_gntpar_i</code>	As defined in [OPENHW-OBI]	<code>cpuctrl.integrity = 1</code> and PMA attributes access with <code>integrity = 1</code>	During instruction access address phase
<code>instr_rvalidpar_i</code>	As defined in [OPENHW-OBI]	<code>cpuctrl.integrity = 1</code> and PMA attributes access with <code>integrity = 1</code>	During instruction access response phase
<code>data_gntpar_i</code>	As defined in [OPENHW-OBI]	<code>cpuctrl.integrity = 1</code> and PMA attributes access with <code>integrity = 1</code>	During data access address phase
<code>data_rvalidpar_i</code>	As defined in [OPENHW-OBI]	<code>cpuctrl.integrity = 1</code> and PMA attributes access with <code>integrity = 1</code>	During data access response phase
<code>instr_rchk_i</code>	As defined in Table 8.4	<code>cpuctrl.integrity = 1</code> and PMA attributes access with <code>integrity = 1</code>	During instruction access response phase
<code>data_rchk_i</code>   As defined in Table 8.4		<code>cpuctrl.integrity = 1</code> and PMA attributes access with <code>integrity = 1</code>	During data access response phase

If a parity/checksum error occurs on the OBI instruction interface while handling an instruction fetch, then a precise exception is triggered (instruction parity fault with exception code 25) if attempting to execute that instruction. This will also trigger an alert on `alert_major_o`.

If a parity/checksum error occurs on the OBI data interface while handling a load, then an imprecise NMI is triggered (load parity/checksum fault NMI with exception code 1026). This will also trigger an alert on `alert_major_o`.

If a parity/checksum error occurs on the OBI data interface while handling a store, then an imprecise NMI is triggered (store parity/checksum fault NMI with exception code 1027). This will also trigger an alert on `alert_major_o`.

The environment is expected to check the OBI outputs of CV32E40S against the related parity and checksum outputs (i.e. `instr_reqpar_o`, `data_reqpar_o`, `instr_rchk_o` and `data_rchk_o`) as specified in [OPENHW-OBI] and Table 8.3. It is platform defined how the environment reacts in case of parity or checksum violations.

## 8.9 Bus protocol hardening

The OBI protocol (see [OPENHW-OBI]) is used as the protocol for both the instruction interface and data interface of the CV32E40S. With respect to its handshake signals (`req`, `gnt`, `rvalid`) the main protocol violation is to receive a response while there is no corresponding outstanding transaction.

An alert is raised on `alert_major_o` when `instr_rvalid_i = 1` is received while there are no outstanding OBI instruction transactions. An alert is raised on `alert_major_o` when `data_rvalid_i = 1` is received while there are no outstanding OBI data transactions.

## 8.10 Reduction of profiling infrastructure

As **Zicntr** and **Zihpm** are not implemented user mode code does not have access to the Base Counters and Timers nor to the Hardware Performance Counters. Furthermore the machine mode Hardware Performance Counters `mhpmcounter3(h) - mhpmcounter31(h)` and related event selector CSRs `mhpmevent3 - mhpmevent31` are hard-wired to 0.



## PHYSICAL MEMORY ATTRIBUTION (PMA)

The CV32E40S includes a Physical Memory Attribution (PMA) unit that allows compile time attribution of the physical memory map. The PMA is configured through the top level parameters `PMA_NUM_REGIONS` and `PMA_CFG[]`. The number of PMA regions is configured through the `PMA_NUM_REGIONS` parameter. Valid values are 0-16. The configuration array, `PMA_CFG[]`, must consist of `PMA_NUM_REGIONS` entries of the type `pma_cfg_t`, defined in `cv32e40s_pkg.sv`:

```
typedef struct packed {  
    logic [31:0] word_addr_low;  
    logic [31:0] word_addr_high;  
    logic        main;  
    logic        bufferable;  
    logic        cacheable;  
    logic        integrity;  
} pma_cfg_t;
```

In case of address overlap between PMA regions, the region with the lowest index in `PMA_CFG[]` will have priority. The PMA can be deconfigured by setting `PMA_NUM_REGIONS=0`. When doing this, `PMA_CFG[]` should be left unconnected.

### 9.1 Address range

The address boundaries of a PMA region are set in `word_addr_low/word_addr_high`. These contain bits 33:2 of 34-bit, word aligned addresses. To get an address match, the transfer address `addr` must be in the range `{word_addr_low, 2'b00} <= addr[33:0] < {word_addr_high, 2'b00}`. Note that `addr[33:32] = 2'b00` as the CV32E40S does not support Sv32.

### 9.2 Main memory vs I/O

Memory ranges can be defined as either main (`main=1`) or I/O (`main=0`).

Code execution is allowed from main memory and main memory is considered to be idempotent. Non-aligned transactions are supported in main memory. Modifiable transactions are supported in main memory.

Code execution is not allowed from I/O regions and an instruction access fault (exception code 1) is raised when attempting to execute from such regions. I/O regions are considered to be non-idempotent and therefore the PMA will prevent speculative accesses to such regions. Non-aligned transactions are not supported in I/O regions. An attempt to perform a non-naturally aligned load access to an I/O region causes a precise load access fault (exception code 5). An attempt to perform a non-naturally aligned store access to an I/O region causes a precise store access fault (exception code 7). Modifiable/modified transactions are not supported in I/O regions. An attempt to perform a modifiable/modified load access to an I/O region causes a precise load access fault (exception code 5). An attempt to perform a modifiable/modified store access to an I/O region causes a precise store access fault (exception code 7).

**Note:** The [RISC-V-ZCA\_ZCB\_ZCMB\_ZCMP\_ZCMT] specification leaves it to the core implementation whether `cm.push`, `cm.pop`, `cm.popret` and `cm.popretz` instructions are supported to non-idempotent memories or not. In CV32E40S the `cm.push`, `cm.pop`, `cm.popret` and `cm.popretz` instructions are **not** allowed to perform their load or store accesses to non-idempotent memories (I/O) and a load access fault (exception code 5) or store access fault (exception code 7) will occur upon the first such load or store access violating this requirement (meaning that the related pop or push might become partially executed).

---

**Note:** Modifiable transactions are transactions which allow transformations as for example merging or splitting. For example, a misaligned store word instruction that is handled as two subword transactions on the data interface is considered to use modified transactions.

---

**Note:** As execution based debug is used, the Debug Module (with code entry points defined by `dm_halt_addr_i` and `dm_exception_addr_i`) needs to be located in a memory region that supports code execution, i.e. in a region defined as main.

---

## 9.3 Bufferable and Cacheable

Accesses to regions marked as bufferable (`bufferable=1`) will result in the OBI `mem_type[0]` bit being set, except if the access was an instruction fetch, a load, or part of an atomic memory operation. Bufferable stores will utilize the write buffer, see *Write buffer*.

Accesses to regions marked as cacheable (`cacheable=1`) will result in the OBI `mem_type[1]` bit being set.

---

**Note:** The PMA must be configured such that accesses to the external debug module are non-cacheable, to enable its program buffer to function correctly.

---

## 9.4 Integrity

Integrity checking can be globally enabled or disabled via the `integrity` bit in the `cpuctrl` CSR.

If globally enabled, then accesses to PMA regions marked with `integrity=1` will have their OBI input signals checked against the `instr_gntpar_i`, `instr_rvalidpar_i`, `data_gntpar_i`, `data_rvalidpar_i`, `instr_rchk_i` and `data_rchk_i` signals. No integrity checks are performed for accesses to regions marked with `integrity=0`.

Integrity check errors can lead to the following alerts, exceptions and NMIs:

- Alert on `alert_major_o` (see *Security alerts*).
- Instruction parity/checksum fault (see *Exceptions and Interrupts*).
- Load parity/checksum fault NMI (see *Exceptions and Interrupts*).
- Store parity/checksum fault NMI (see *Exceptions and Interrupts*).

How OBI input signals are checked is further explained in *Interface integrity*.



## 9.5 Default attribution

If the PMA is deconfigured (`PMA_NUM_REGIONS=0`), the entire memory range will be treated as main memory (`main=1`), non-bufferable (`bufferable=0`), non-cacheable (`cacheable=0`) and no integrity (`integrity=0`).

If the PMA is configured (`PMA_NUM_REGIONS > 0`), memory regions not covered by any PMA regions are treated as I/O memory (`main=0`), non-bufferable (`bufferable=0`), non-cacheable (`cacheable=0`) and no integrity (`integrity=0`).

Every instruction fetch, load and store will be subject to PMA checks and failed checks will result in an exception. PMA checks cannot be disabled. See *Exceptions and Interrupts* for details.



## PHYSICAL MEMORY PROTECTION (PMP)

The CV32E40S includes the Physical Memory Protection (PMP) unit. The PMP is both statically and dynamically configurable. The static configuration is performed through the top level parameters `PMP_NUM_REGIONS` and `PMP_GRANULARITY`. The dynamic configuration is performed through the CSRs described in *Control and Status Registers*.

The `PMP_GRANULARITY` parameter is used to configure the minimum granularity of PMP address matching. The minimum granularity is  $2^{\text{PMP\_GRANULARITY}+2}$  bytes, so at least 4 bytes.

The `PMP_NUM_REGIONS` parameter is used to configure the number of PMP regions, starting from the lowest numbered region. All PMP CSRs are always implemented, but CSRs (or bitfields of CSRs) related to PMP entries with number `PMP_NUM_REGIONS` and above are hardwired to zero.

The reset value of the PMP CSR registers can be set through the top level parameters `PMP_PMPNCFG_RV[]`, `PMP_PMPADDR_RV[]` and `PMP_MSECCFG_RV`. `PMP_PMPNCFG_RV[]` is an array of `PMP_NUM_REGIONS` entries of the type `pmpncfg_t`. Entry `N` determines the reset value of the `pmpNc.fg` bitfield in the `pmpcfg` CSRs. `PMP_PMPADDR_RV[]` is an array of `PMP_NUM_REGIONS` entries of `logic [31:0]`. Entry `N` determines the reset value of the `pmpaddrN` CSR. `PMP_MSECCFG_RV` is of the type `mseccfg_t` and determines the reset value of the `mseccfg` CSR.

The PMP is compliant to [RISC-V-PRIV] and [RISC-V-SMEPMP].



## REGISTER FILE

Source file: `rtl/cv32e40s_register_file.sv`

CV32E40S has 31 32-bit wide registers which form registers `x1` to `x31`. Register `x0` is statically bound to 0 and can only be read, it does not contain any sequential logic.

The register file has two read ports and one write port. Register file reads are performed in the ID stage. Register file writes are performed in the WB stage.

### 11.1 General Purpose Register File

The general purpose register file is flip-flop-based. It uses regular, positive-edge-triggered flip-flops to implement the registers.

### 11.2 Error Detection

The register file of CV32E40S has integrated error detection logic and a 6-bit hamming code for each word. This ensures detection of up to two errors in each register file word. Detected errors trigger the core major alert output.



## FENCE.I EXTERNAL HANDSHAKE

CV32E40S includes an external handshake that will be exercised upon execution of the `fence.i` instruction. The handshake is composed of the signals `fencei_flush_req_o` and `fencei_flush_ack_i` and can for example be used to flush an externally connected cache.

The `fencei_flush_req_o` signal will go high upon executing a `fence.i` instruction ([RISC-V-UNPRIV]) once possible earlier store instructions have fully completed (including emptying of the the write buffer). The `fencei_flush_req_o` signal will go low again the cycle after sampling both `fencei_flush_req_o` and `fencei_flush_ack_i` high. Once `fencei_flush_req_o` has gone low again a branch will be taken to the instruction after the `fence.i` thereby flushing possibly prefetched instructions.

Fence instructions are not impacted by the distinction between main and I/O regions (defined in *Physical Memory Attribution (PMA)*) and execute as a conservative fence on all operations, ignoring the predecessor and successor fields.

---

**Note:** If the `fence.i` external handshake is not used by the environment of CV32E40S, then it is recommended to tie the `fencei_flush_ack_i` to 1 in order to avoid stalling `fence.i` instructions indefinitely.

---





## SLEEP UNIT

Source File: `rtl/cv32e40s_sleep_unit.sv`

The Sleep Unit contains and controls the instantiated clock gate, see *Clock Gating Cell*, that gates `clk_i` and produces a gated clock for use by the other modules inside CV32E40S. The Sleep Unit is the only place in which `clk_i` itself is used; all other modules use the gated version of `clk_i`.

The clock gating in the Sleep Unit is impacted by the following:

- `rst_ni`
- `fetch_enable_i`
- `wfi` instruction
- `wfe` instruction

Table 13.1 describes the Sleep Unit interface.

Table 13.1: Sleep Unit interface signals

Signal	Direction	Description
<code>core_sleep_o</code>	output	Core is sleeping because of a <code>wfi</code> or <code>wfe</code> instruction. If <code>core_sleep_o = 1</code> , then <code>clk_i</code> is gated off internally and it is allowed to gate off <code>clk_i</code> externally as well. See <i>WFI</i> and <i>WFE</i> for details.
<code>wu_wfe_i</code>	input	Wake-up signal for custom <code>wfe</code> instruction. See <i>WFE</i> for details.

### 13.1 Startup behavior

`clk_i` is internally gated off (while signaling `core_sleep_o = 0`) during CV32E40S startup:

- `clk_i` is internally gated off during `rst_ni` assertion
- `clk_i` is internally gated off from `rst_ni` deassertion until `fetch_enable_i = 1`

After initial assertion of `fetch_enable_i`, the `fetch_enable_i` signal is ignored until after a next reset assertion.

## 13.2 WFI

The **wfi** instruction can under certain conditions be used to enter sleep mode awaiting a locally enabled interrupt to become pending. The operation of **wfi** is unaffected by the global interrupt bits in **mstatus**.

A **wfi** will not enter sleep mode, but will be executed as a regular **nop**, if any of the following conditions apply:

- `debug_req_i = 1` or a debug request is pending
- The core is in debug mode
- The core is performing single stepping (debug)
- The core has a trigger match (debug)

If a **wfi** causes sleep mode entry, then `core_sleep_o` is set to 1 and `clk_i` is gated off internally. `clk_i` is allowed to be gated off externally as well in this scenario. A wake-up can be triggered by any of the following:

- A locally enabled interrupt is pending
- A debug request is pending
- Core is in debug mode

Upon wake-up `core_sleep_o` is set to 0, `clk_i` will no longer be gated internally, must not be gated off externally, and instruction execution resumes.

If one of the above wake-up conditions coincides with the **wfi** instruction, then sleep mode is not entered and `core_sleep_o` will not become 1.

Figure 13.1 shows an example waveform for sleep mode entry because of a **wfi** instruction.

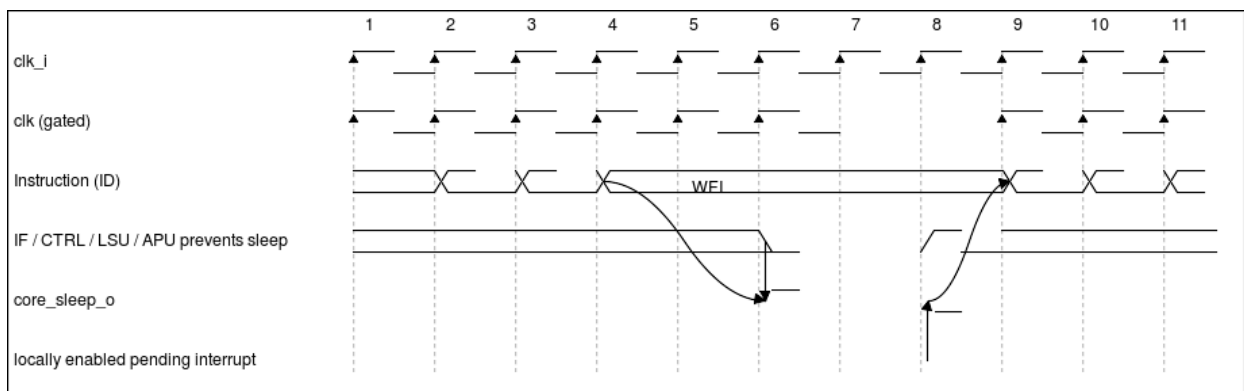


Figure 13.1: **wfi** example

## 13.3 WFE

The custom **wfe** instruction behaves exactly as the **wfi** instruction, except that a wake-up can additionally be triggered by asserting `wu_wfe_i`.

The **wfe** instruction is encoded as a custom SYSTEM instruction with opcode `0x8C00_0073`.

## CONTROL AND STATUS REGISTERS

### 14.1 CSR Map

Table 14.1 lists all implemented CSRs. To columns in Table 14.1 may require additional explanation:

The **Parameter** column identifies those CSRs that are dependent on the value of specific compile/synthesis parameters. If these parameters are not set as indicated in Table 14.1 then the associated CSR is not implemented. If the parameter column is empty then the associated CSR is always implemented.

The **Privilege** column indicates the access mode of a CSR. The first letter indicates the lowest privilege level required to access the CSR. Attempts to access a CSR with a higher privilege level than the core is currently running in will throw an illegal instruction exception. The remaining letters indicate the read and/or write behavior of the CSR when accessed by the indicated or higher privilege level:

- **RW**: CSR is **read-write**. That is, CSR instructions (e.g. `csrrw`) may write any value and that value will be returned on a subsequent read (unless a side-effect causes the core to change the CSR value).
- **RO**: CSR is **read-only**. Writes by CSR instructions raise an illegal instruction exception.

Writes of a non-supported value to **WLRL** bitfields of a **RW** CSR do not result in an illegal instruction exception. The exact bitfield access types, e.g. **WLRL** or **WARL**, can be found in the RISC-V privileged specification.

Reads or writes to a CSR that is not implemented will result in an illegal instruction exception.

Table 14.1: Control and Status Register Map

CSR Address	Name	Privilege	Parameter	Description
Machine CSRs				
0x300	<code>mstatus</code>	MRW		Machine Status (lower 32 bits).
0x301	<code>misa</code>	MRW		Machine ISA
0x304	<code>mie</code>	MRW		Machine Interrupt Enable Register
0x305	<code>mtvec</code>	MRW		Machine Trap-Handler Base Address
0x307	<code>mtvt</code>	MRW	SMCLIC = 1	Machine Trap-Handler Vector Table Base Address
0x310	<code>mstatush</code>	MRW		Machine Status (upper 32 bits).
0x320	<code>mcountinhibit</code>	MRW		(HPM) Machine Counter-Inhibit Register
0x323	<code>mhpmevent3</code>	MRW		(HPM) Machine Performance-Monitoring Event Selector 3
...				

continues on next page

Table 14.1 – continued from previous page

CSR Address	Name	Privilege	Parameter	Description
0x33F	mhpmevent31	MRW		(HPM) Machine Performance-Monitoring Event Selector 31
0x340	mscratch	MRW		Machine Scratch
0x341	mepc	MRW		Machine Exception Program Counter
0x342	mcause	MRW		Machine Trap Cause
0x343	mtval	MRW		Machine Trap Value
0x344	mip	MRW		Machine Interrupt Pending Register
0x345	mnxti	MRW	SMCLIC = 1	Interrupt handler address and enable modifier
0x346	mintstatus	MRW	SMCLIC = 1	Current interrupt levels
0x347	mintthresh	MRW	SMCLIC = 1	Interrupt-level threshold
0x348	mscratchcsw	MRW	SMCLIC = 1	Conditional scratch swap on priv mode change
0x349	mscratchcswl	MRW	SMCLIC = 1	Conditional scratch swap on level change
0x34A	mclibase	MRW	SMCLIC = 1	CLIC Base Register
0x7A0	tselect	MRW	DBG_NUM_TRIGGERS > 0	Trigger Select Register
0x7A1	tdata1	MRW	DBG_NUM_TRIGGERS > 0	Trigger Data Register 1
0x7A2	tdata2	MRW	DBG_NUM_TRIGGERS > 0	Trigger Data Register 2
0x7A3	tdata3	MRW	DBG_NUM_TRIGGERS > 0	Trigger Data Register 3
0x7A4	tinfo	MRW	DBG_NUM_TRIGGERS > 0	Trigger Info
0x7A5	tcontrol	MRW	DBG_NUM_TRIGGERS > 0	Trigger Control
0x7B0	dcsr	DRW		Debug Control and Status
0x7B1	dpc	DRW		Debug PC
0x7B2	dscratch0	DRW		Debug Scratch Register 0
0x7B3	dscratch1	DRW		Debug Scratch Register 1
0xB00	mcycle	MRW		(HPM) Machine Cycle Counter
0xB02	minstret	MRW		(HPM) Machine Instructions-Retired Counter
0xB03	mhpmcounter3	MRW		(HPM) Machine Performance-Monitoring Counter 3
...				
0xB1F	mhpmcounter31	MRW		(HPM) Machine Performance-Monitoring Counter 31
0xB80	mcycleh	MRW		(HPM) Upper 32 Machine Cycle Counter
0xB82	minstreth	MRW		(HPM) Upper 32 Machine Instructions-Retired Counter
0xB83	mhpmcounterh3	MRW		(HPM) Upper 32 Machine Performance-Monitoring Counter 3
...				
0xB9F	mhpmcounterh31	MRW		(HPM) Upper 32 Machine Performance-Monitoring Counter 31
0xF11	mvendorid	MRO		Machine Vendor ID
0xF12	marchid	MRO		Machine Architecture ID
0xF13	mimpid	MRO		Machine Implementation ID
0xF14	mhartid	MRO		Hardware Thread ID

continues on next page

Table 14.1 – continued from previous page

CSR Address	Name	Privilege	Parameter	Description
0xF15	mconfigptr	MRO		Machine Configuration Pointer

Table 14.2: Control and Status Register Map (additional custom CSRs)

CSR Address	Name	Privilege	Parameter	Description
Machine CSRs				
0xBF0	cpuctrl	MRW		CPU control
0xBF9	secureseed0	MRW		Seed for LFSR0
0xBFA	secureseed1	MRW		Seed for LFSR1
0xBFC	secureseed2	MRW		Seed for LFSR2

Table 14.3: Control and Status Register Map (Unprivileged and User-Level CSRs)

CSR Address	Name	Privilege	Parameter	Description
Unprivileged and User-Level CSRs				
0x017	jvt	URW		Table jump base vector and control register

Table 14.4: Control and Status Register Map (additional CSRs for User mode support)

CSR address	Name	Privilege	Parameter	Description
Machine CSRs				
0x306	mcounteren	MRW		Machine Counter Enable
0x30A	menvcfg	MRW		Machine Environment Configuration (lower 32 bits)
0x30C	mstateen0	MRW		Machine state enable 0 (lower 32 bits)
0x30D	mstateen1	MRW		Machine state enable 1 (lower 32 bits)
0x30E	mstateen2	MRW		Machine state enable 2 (lower 32 bits)
0x30F	mstateen3	MRW		Machine state enable 3 (lower 32 bits)
0x31A	menvcfggh	MRW		Machine Environment Configuration (upper 32 bits)
0x31C	mstateen0h	MRW		Machine state enable 0 (upper 32 bits)
0x31D	mstateen1h	MRW		Machine state enable 1 (upper 32 bits)
0x31E	mstateen2h	MRW		Machine state enable 2 (upper 32 bits)
0x31F	mstateen3h	MRW		Machine state enable 3 (upper 32 bits)

Table 14.5: Control and Status Register Map (additional CSRs for PMP)

CSR Address	Name	Privilege	Parameter	Description
Machine CSRs				
0x3A0	pmpcfg0	MRW		Physical memory protection configuration.
0x3A1	pmpcfg1	MRW		Physical memory protection configuration.
0x3A2	pmpcfg2	MRW		Physical memory protection configuration.
...	...	...		...
0x3AF	pmpcfg15	MRW		Physical memory protection configuration.
0x3B0	pmpaddr0	MRW		Physical memory protection address register.
0x3B1	pmpaddr1	MRW		Physical memory protection address register.
0x3B2	pmpaddr2	MRW		Physical memory protection address register.
...	...	...		...
0x3EF	pmpaddr63	MRW		Physical memory protection address register.
0x747	mseccfg	MRW		Machine Security Configuration (lower 32 bits).
0x757	mseccfgh	MRW		Machine Security Configuration (upper 32 bits).

## 14.2 CSR Descriptions

What follows is a detailed definition of each of the CSRs listed above. The **R/W** column defines the access mode behavior of each bit field when accessed by the privilege level specified in [Table 14.1](#) (or a higher privilege level):

- **R: read** fields are not affected by CSR write instructions. Such fields either return a fixed value, or a value determined by the operation of the core.
- **RW: read/write** fields store the value written by CSR writes. Subsequent reads return either the previously written value or a value determined by the operation of the core.
- **WARL: write-any-read-legal** fields store only legal values written by CSR writes. The WARL keyword can optionally be followed by a legal value (or comma separated list of legal values) enclosed in brackets. If the legal value(s) are not specified, then all possible values are considered valid. For example, a WARL (0x0) field supports only the value 0x0. Any value may be written, but all reads would return 0x0 regardless of the value being written to it. A WARL field may support more than one value. If an unsupported value is (attempted to be) written to a WARL field, the value marked with an asterisk (the so-called resolution value) is written. If there is no such predefined resolution value, then the original (legal) value of the bitfield is preserved.
- **WPRI:** Software should ignore values read from these fields, and preserve the values when writing.

---

**Note:** The **R/W** information does **not** impact whether CSR accesses result in illegal instruction exceptions or not.

---

### 14.2.1 Jump Vector Table (jvt)

CSR Address: 0x017

Reset Value: 0x0000\_0000

Detailed:

Bit #	R/W	Description
31:10	WARL	<b>BASE[31:10]</b> : Table Jump Base Address, 1024 byte aligned.
9:6	WARL (0x0)	<b>BASE[9:6]</b> : Table Jump Base Address, 1024 byte aligned. <code>jvt[9:6]</code> is hardwired to 0x0.
5:0	WARL (0x0)	<b>MODE</b> : Jump table mode

Table jump base vector and control register

**Note:** Memory writes to the `jvt` based vector table require an instruction barrier (`fence.i`) to guarantee that they are visible to the instruction fetch (see *Fence.i external handshake* and [RISC-V-UNPRIV]).

## 14.2.2 Machine Status (`mstatus`)

CSR Address: 0x300

Reset Value: 0x0000\_1800

Bit #	R/W	Description
31	WARL (0x0)	<b>SD</b> . Hardwired to 0.
30:23	WPRI (0x0)	Reserved. Hardwired to 0.
22	WARL (0x0)	<b>TSR</b> . Hardwired to 0.
21	WARL	<b>TW</b> : Timeout Wait. When set, WFI executed from user mode causes an illegal exception. The time limit is set to 0 for CV32E40S.
20	WARL (0x0)	<b>TVM</b> . Hardwired to 0.
19	R (0x0)	<b>MXR</b> . Hardwired to 0.
18	R (0x0)	<b>SUM</b> . Hardwired to 0.
17	RW	<b>MPRV</b> : Modify Privilege. When <code>MPRV=1</code> , load and store memory addresses are translated and protected as though the current privilege mode were set to MPP.
16:15	R (0x0)	<b>XS</b> . Hardwired to 0.
14:13	WARL (0x0)	<b>FS</b> . Hardwired to 0.
12:11	WARL (0x0, 0x3)	<b>MPP</b> : Machine Previous Privilege mode. Returns the previous privilege mode. When an <code>mret</code> is executed, the privilege mode is change to the value of MPP.
10:9	WPRI (0x0)	<b>VS</b> . Hardwired to 0.
8	WARL (0x0)	<b>SPP</b> . Hardwired to 0.
7	RW	<b>MPIE</b> . When an exception is encountered, MPIE will be set to MIE. When the <code>mret</code> instruction is executed, the value of MPIE will be stored to MIE.
6	WARL (0x0)	<b>UBE</b> . Hardwired to 0.
5	R (0x0)	<b>SPIE</b> . Hardwired to 0.
4	WPRI (0x0)	Reserved. Hardwired to 0.
3	RW	<b>MIE</b> : If you want to enable interrupt handling in your exception handler, set the Interrupt Enable MIE to 1 inside your handler code.
2	WPRI (0x0)	Reserved. Hardwired to 0.
1	R (0x0)	<b>SIE</b> . Hardwired to 0.
0	WPRI (0x0)	Reserved. Hardwired to 0

### 14.2.3 Machine ISA (*misa*)

CSR Address: 0x301

Reset Value: defined (based on RV32, M\_EXT)

Detailed:

Bit #	R/W	Description
31:30	WARL (0x1)	<b>MXL</b> (Machine XLEN).
29:26	WARL (0x0)	(Reserved).
25	WARL (0x0)	<b>Z</b> (Reserved).
24	WARL (0x0)	<b>Y</b> (Reserved).
23	WARL (0x1)	<b>X</b> (Non-standard extensions present).
22	WARL (0x0)	<b>W</b> (Reserved).
21	WARL (0x0)	<b>V</b> (Tentatively reserved for Vector extension).
20	WARL (0x1)	<b>U</b> (User mode implemented).
19	WARL (0x0)	<b>T</b> (Tentatively reserved for Transactional Memory extension).
18	WARL (0x0)	<b>S</b> (Supervisor mode implemented).
17	WARL (0x0)	<b>R</b> (Reserved).
16	WARL (0x0)	<b>Q</b> (Quad-precision floating-point extension).
15	WARL (0x0)	<b>P</b> (Packed-SIMD extension).
14	WARL (0x0)	<b>O</b> (Reserved).
13	WARL (0x0)	<b>N</b>
12	WARL	<b>M</b> (Integer Multiply/Divide extension).
11	WARL (0x0)	<b>L</b> (Tentatively reserved for Decimal Floating-Point extension).
10	WARL (0x0)	<b>K</b> (Reserved).
9	WARL (0x0)	<b>J</b> (Tentatively reserved for Dynamically Translated Languages extension).
8	WARL	<b>I</b> (RV32I/64I/128I base ISA).
7	WARL (0x0)	<b>H</b> (Hypervisor extension).
6	WARL (0x0)	<b>G</b> (Additional standard extensions present).
5	WARL (0x0)	<b>F</b> (Single-precision floating-point extension).
4	WARL	<b>E</b> (RV32E base ISA).
3	WARL (0x0)	<b>D</b> (Double-precision floating-point extension).
2	WARL (0x1)	<b>C</b> (Compressed extension).
1	WARL (0x0)	<b>B</b> Reserved.
0	WARL (0x0)	<b>A</b> (Atomic extension).

All bitfields in the *misa* CSR read as 0 except for the following:

- **C** = 1
- **I** = 1 if RV32 == RV32I
- **E** = 1 if RV32 == RV32E
- **M** = 1 if M\_EXT == M
- **MXL** = 1 (i.e. XLEN = 32)
- **U** = 1
- **X** = 1



### 14.2.4 Machine Interrupt Enable Register (mie) - SMCLIC == 0

CSR Address: 0x304

Reset Value: 0x0000\_0000

Detailed:

Bit #	R/W	Description
31:16	RW	Machine Fast Interrupt Enables: Set bit x to enable interrupt irq_i[x].
15:12	WARL (0x0)	Reserved. Hardwired to 0.
11	RW	<b>MEIE</b> : Machine External Interrupt Enable, if set, irq_i[11] is enabled.
10	WARL (0x0)	Reserved. Hardwired to 0.
9	WARL (0x0)	<b>SEIE</b> . Hardwired to 0
8	WARL (0x0)	Reserved. Hardwired to 0.
7	RW	<b>MTIE</b> : Machine Timer Interrupt Enable, if set, irq_i[7] is enabled.
6	WARL (0x0)	Reserved. Hardwired to 0.
5	WARL (0x0)	<b>STIE</b> . Hardwired to 0.
4	WARL (0x0)	Reserved. Hardwired to 0.
3	RW	<b>MSIE</b> : Machine Software Interrupt Enable, if set, irq_i[3] is enabled.
2	WARL (0x0)	Reserved. Hardwired to 0.
1	WARL (0x0)	<b>SSIE</b> . Hardwired to 0.
0	WARL (0x0)	Reserved. Hardwired to 0.

### 14.2.5 Machine Interrupt Enable Register (mie) - SMCLIC == 1

CSR Address: 0x304

Reset Value: 0x0000\_0000

Detailed:

Bit #	R/W	Description
31:0	WARL (0x0)	Reserved. Hardwired to 0.

**Note:** In CLIC mode the mie CSR is replaced by separate memory-mapped interrupt enables (clicintie).

### 14.2.6 Machine Trap-Vector Base Address (mtvec) - SMCLIC == 0

CSR Address: 0x305

Reset Value: Defined

Detailed:

Bit #	R/W	Description
31:7	WARL	<b>BASE[31:7]</b> : Trap-handler base address, always aligned to 128 bytes.
6:2	WARL (0x0)	<b>BASE[6:2]</b> : Trap-handler base address, always aligned to 128 bytes. mtvec[6:2] is hardwired to 0x0.
1:0	WARL (0x0, 0x1)	<b>MODE</b> : Interrupt handling mode. 0x0 = non-vectorized basic mode, 0x1 = vectorized basic mode.

The initial value of `mtvec` is equal to `{mtvec_addr_i[31:7], 5'b0, 2'b01}`.

When an exception or an interrupt is encountered, the core jumps to the corresponding handler using the content of the `mtvec[31:7]` as base address. Both non-vectorized basic mode and vectorized basic mode are supported.

Upon an NMI in non-vectorized basic mode the core jumps to `mtvec[31:7], 5'h0, 2'b00` (i.e. index 0). Upon an NMI in vectorized basic mode the core jumps to `mtvec[31:7], 5'hF, 2'b00` (i.e. index 15).

---

**Note:** For NMIs the exception codes in the `mcause` CSR do not match the table index as for regular interrupts.

---



---

**Note:** Memory writes to the `mtvec` based vector table require an instruction barrier (`fence.i`) to guarantee that they are visible to the instruction fetch (see *Fence.i external handshake* and [RISC-V-UNPRIV]).

---

### 14.2.7 Machine Trap-Vector Base Address (`mtvec`) - `SMCLIC == 1`

CSR Address: 0x305

Reset Value: Defined

Detailed:

Bit #	R/W	Description
31:7	WARL	<b>BASE[31:7]</b> : Trap-handler base address, always aligned to 128 bytes.
6	WARL (0x0)	<b>BASE[6]</b> : Trap-handler base address, always aligned to 128 bytes. <code>mtvec[6]</code> is hardwired to 0x0.
5:0	WARL (0x3)	<b>MODE</b> : Interrupt handling mode. Always CLIC mode.

The initial value of `mtvec` is equal to `{mtvec_addr_i[31:7], 1'b0, 6'b000011}`.

Upon an NMI in CLIC mode the core jumps to `mtvec[31:7], 5'h0, 2'b00` (i.e. index 0).

---

**Note:** Memory writes to the `mtvec` based vector table require an instruction barrier (`fence.i`) to guarantee that they are visible to the instruction fetch (see *Fence.i external handshake* and [RISC-V-UNPRIV]).

---

### 14.2.8 Machine Trap Vector Table Base Address (`mtvt`)

CSR Address: 0x307

Reset Value: 0x0000\_0000

Include Condition: `SMCLIC = 1`

Detailed:

Bit #	R/W	Description
31:N	RW	<b>BASE[31:N]</b> : Trap-handler vector table base address. <code>N = maximum(6, 2+SMCLIC_ID_WIDTH)</code> . See note below for alignment restrictions.
N-1:6	WARL (0x0)	<b>BASE[N-1:6]</b> : Trap-handler vector table base address. This field is only defined if <code>N &gt; 6</code> . <code>N = maximum(6, 2+SMCLIC_ID_WIDTH)</code> . <code>mtvt[N-1:6]</code> is hardwired to 0x0. See note below for alignment restrictions.
5:0	R (0x0)	Reserved. Hardwired to 0.

---

**Note:** The `mtvt` CSR holds the base address of the trap vector table, which has its alignment restricted to both at least 64-bytes and to  $2^{(2+SMCLIC\_ID\_WIDTH)}$  bytes or greater power-of-two boundary. For example if `SMCLIC_ID_WIDTH = 8`, then 256 CLIC interrupts are supported and the trap vector table is aligned to 1024 bytes, and therefore `BASE[9:6]` will be WARL (0x0).

---

**Note:** Memory writes to the `mtvt` based vector table require an instruction barrier (`fence.i`) to guarantee that they are visible to the instruction fetch (see *Fence.i external handshake* and [RISC-V-UNPRIV]).

---

### 14.2.9 Machine Status (`mstatush`)

CSR Address: 0x310

Reset Value: 0x0000\_0000

Detailed:

Bit#	R/W	Definition
31:6	WPRI (0x0)	Reserved. Hardwired to 0.
5	WARL (0x0)	<b>MBE</b> . Hardwired to 0.
4	WARL (0x0)	<b>SBE</b> . Hardwired to 0.
3:0	WPRI (0x0)	Reserved. Hardwired to 0.

### 14.2.10 Machine Counter Enable (`mcounteren`)

CSR Address: 0x306

Reset Value: 0x0000\_0000

Detailed:

Bit#	R/W	Description
31:0	WARL (0x0)	Hardwired to 0.

---

**Note:** `mcounteren` is WARL (0x0) as the `Zicntr` and `Zihpm` extensions are not supported on CV32E40S.

---

### 14.2.11 Machine Environment Configuration (`menvcfg`)

CSR Address: 0x30A

Reset Value: 0x0000\_0000

Detailed:

Bit#	R/W	Definition
31:8	WPRI (0x0)	Reserved. Hardwired to 0.
7	R (0x0)	<b>CBZE</b> . Hardwired to 0.
6	R (0x0)	<b>CBCFE</b> . Hardwired to 0.
5:4	R (0x0)	<b>CBIE</b> . Hardwired to 0.
3:1	R (0x0)	Reserved. Hardwired to 0.
0	R (0x0)	<b>FIOM</b> . Hardwired to 0.

### 14.2.12 Machine State Enable 0 (mstateen0)

CSR Address: 0x30C

Reset Value: 0x0000\_0000

Detailed:

Bit#	R/W	Description
31:3	WARL (0x0)	Hardwired to 0.
2	RW	Controls user mode access to the jvt CSR and whether the <code>cm.jt</code> and <code>cm.jalt</code> instructions cause an illegal instruction trap in user mode or not.
1:0	WARL (0x0)	Hardwired to 0.

### 14.2.13 Machine State Enable 1 (mstateen1)

CSR Address: 0x30D

Reset Value: 0x0000\_0000

Detailed:

Bit#	R/W	Description
31:0	WARL (0x0)	Hardwired to 0.

### 14.2.14 Machine State Enable 2 (mstateen2)

CSR Address: 0x30E

Reset Value: 0x0000\_0000

Detailed:

Bit#	R/W	Description
31:0	WARL (0x0)	Hardwired to 0.

### 14.2.15 Machine State Enable 3 (mstateen3)

CSR Address: 0x30F

Reset Value: 0x0000\_0000

Detailed:

Bit#	R/W	Description
31:0	WARL (0x0)	Hardwired to 0.

### 14.2.16 Machine Environment Configuration (menvcfgh)

CSR Address: 0x31A

Reset Value: 0x0000\_0000

Detailed:

Bit#	R/W	Definition
31	R (0x0)	<b>STCE</b> . Hardwired to 0
30:0	WPRI (0x0)	Reserved. Hardwired to 0.

### 14.2.17 Machine State Enable 0 (mstateen0h)

CSR Address: 0x31C

Reset Value: 0x0000\_0000

Detailed:

Bit#	R/W	Description
31:0	WARL (0x0)	Hardwired to 0.

### 14.2.18 Machine State Enable 1 (mstateen1h)

CSR Address: 0x31D

Reset Value: 0x0000\_0000

Detailed:

Bit#	R/W	Description
31:0	WARL (0x0)	Hardwired to 0.

### 14.2.19 Machine State Enable 2 (mstateen2h)

CSR Address: 0x31E

Reset Value: 0x0000\_0000

Detailed:

Bit#	R/W	Description
31:0	WARL (0x0)	Hardwired to 0.

### 14.2.20 Machine State Enable 3 (mstateen3h)

CSR Address: 0x31F

Reset Value: 0x0000\_0000

Detailed:

Bit#	R/W	Description
31:0	WARL (0x0)	Hardwired to 0.

### 14.2.21 Machine Counter-Inhibit Register (mcountinhibit)

CSR Address: 0x320

Reset Value: 0x0000\_0005

The performance counter inhibit control register. The default value is to inhibit all implemented counters out of reset. The bit returns a read value of 0 for non implemented counters.

Detailed:

Bit#	R/W	Description
31:3	WARL (0x0)	Hardwired to 0.
2	WARL	<b>IR:</b> minstret inhibit
1	WARL (0x0)	Hardwired to 0.
0	WARL	<b>CY:</b> mcycle inhibit

### 14.2.22 Machine Performance Monitoring Event Selector (mhpmevent3 .. mhpmevent31)

CSR Address: 0x323 - 0x33F

Reset Value: 0x0000\_0000

Detailed:

Bit#	R/W	Definition
31:0	WARL (0x0)	Hardwired to 0.

### 14.2.23 Machine Scratch (mscratch)

CSR Address: 0x340

Reset Value: 0x0000\_0000

Detailed:

Bit #	R/W	Description
31:0	RW	Scratch value

### 14.2.24 Machine Exception PC (mepc)

CSR Address: 0x341

Reset Value: 0x0000\_0000

Bit #	R/W	Description
31:1	WARL	Machine Exception Program Counter 31:1
0	WARL (0x0)	Hardwired to 0.

When an exception is encountered, the current program counter is saved in MEPC, and the core jumps to the exception address. When a mret instruction is executed, the value from MEPC replaces the current program counter.

### 14.2.25 Machine Cause (mcause) - SMCLIC == 0

CSR Address: 0x342

Reset Value: 0x0000\_0000

Bit #	R/W	Description
31	RW	<b>INTERRUPT</b> . This bit is set when the exception was triggered by an interrupt.
30:11	WLRL (0x0)	<b>EXCCODE[30:11]</b> . Hardwired to 0.
10:0	WLRL	<b>EXCCODE[10:0]</b> . See note below.

**Note:** Software accesses to *mcause[10:0]* must be sensitive to the WLRL field specification of this CSR. For example, when *mcause[31]* is set, writing 0x1 to *mcause[1]* (Supervisor software interrupt) will result in UNDEFINED behavior.

### 14.2.26 Machine Cause (mcause) - SMCLIC == 1

CSR Address: 0x342

Reset Value: 0x3000\_0000

Bit #	R/W	Description
31	RW	<b>INTERRUPT</b> . This bit is set when the exception was triggered by an interrupt.
30	RW	<b>MINHV</b> . Set by hardware at start of hardware vectoring, cleared by hardware at end of successful hardware vectoring.
29:28	<b>WARL (0x0, 0x3)</b>	<b>MPP</b> : Previous privilege mode. Same as <code>mstatus.MPP</code>
27	RW	<b>MPIE</b> : Previous interrupt enable. Same as <code>mstatus.MPIE</code>
26:24	RW	Reserved. Hardwired to 0.
23:16	RW	<b>MPIL</b> : Previous interrupt level.
15:12	WARL (0x0)	Reserved. Hardwired to 0.
11	WLRL (0x0)	<b>EXCCODE[11]</b>
10:0	WLRL	<b>EXCCODE[10:0]</b>

---

**Note:** `mcause.MPP` and `mstatus.MPP` mirror each other. `mcause.MPIE` and `mstatus.MPIE` mirror each other. Reading or writing the fields `MPP/MPIE` in `mcause` is equivalent to reading or writing the homonymous field in `mstatus`.

---

### 14.2.27 Machine Trap Value (`mtval`)

CSR Address: 0x343

Reset Value: 0x0000\_0000

Detailed:

Bit #	R/W	Description
31:0	WARL (0x0)	Hardwired to 0.

### 14.2.28 Machine Interrupt Pending Register (`mip`) - `SMCLIC == 0`

CSR Address: 0x344

Reset Value: 0x0000\_0000

Detailed:



Bit #	R/W	Description
31:16	R	Machine Fast Interrupt Enables: Interrupt irq_i[x] is pending.
15:12	WARL (0x0)	Reserved. Hardwired to 0.
11	R	<b>MEIP</b> : Machine External Interrupt Enable, if set, irq_i[11] is pending.
10	WARL (0x0)	Reserved. Hardwired to 0.
9	WARL (0x0)	<b>SEIP</b> . Hardwired to 0
8	WARL (0x0)	Reserved. Hardwired to 0.
7	R	<b>MTIP</b> : Machine Timer Interrupt Enable, if set, irq_i[7] is pending.
6	WARL (0x0)	Reserved. Hardwired to 0.
5	WARL (0x0)	<b>STIP</b> . Hardwired to 0.
4	WARL (0x0)	Reserved. Hardwired to 0.
3	R	<b>MSIP</b> : Machine Software Interrupt Enable, if set, irq_i[3] is pending.
2	WARL (0x0)	Reserved. Hardwired to 0.
1	WARL (0x0)	<b>SSIP</b> . Hardwired to 0.
0	WARL (0x0)	Reserved. Hardwired to 0.

### 14.2.29 Machine Interrupt Pending Register (mip) - SMCLIC == 1

CSR Address: 0x344

Reset Value: 0x0000\_0000

Detailed:

Bit #	R/W	Description
31:0	WARL (0x0)	Reserved. Hardwired to 0.

**Note:** In CLIC mode the mip CSR is replaced by separate memory-mapped interrupt enables (clicintip).

### 14.2.30 Machine Next Interrupt Handler Address and Interrupt Enable (mnxti)

CSR Address: 0x345

Reset Value: 0x0000\_0000

Include Condition: SMCLIC = 1

Detailed:

Bit #	R/W	Description
31:0	RW	<b>MNXTI</b> : Machine Next Interrupt Handler Address and Interrupt Enable.

This register can be used by the software to service the next interrupt when it is in the same privilege mode, without incurring the full cost of an interrupt pipeline flush and context save/restore.

### 14.2.31 Machine Interrupt Status (`mintstatus`)

CSR Address: 0x346

Reset Value: 0x0000\_0000

Include Condition: SMCLIC = 1

Detailed:

Bit #	R/W	Description
31:24	R	<b>MIL</b> : Machine Interrupt Level
23:16	R (0x0)	Reserved. Hardwired to 0.
15: 8	R (0x0)	<b>SIL</b> : Supervisor Interrupt Level, hardwired to 0.
7: 0	R (0x0)	<b>UIL</b> : User Interrupt Level, hardwired to 0.

This register holds the active interrupt level for each privilege mode. Only Machine Interrupt Level is supported.

### 14.2.32 Machine Interrupt-Level Threshold (`mintthresh`)

CSR Address: 0x347

Reset Value: 0x0000\_0000

Include Condition: SMCLIC = 1

Detailed:

Bit #	R/W	Description
31: 8	R (0x0)	Reserved. Hardwired to 0.
7: 0	RW	<b>TH</b> : Threshold

This register holds the machine mode interrupt level threshold.

### 14.2.33 Machine Scratch Swap for Priv Mode Change (`mscratchcsw`)

CSR Address: 0x348

Reset Value: 0x0000\_0000

Include Condition: SMCLIC = 1

Detailed:

Bit #	R/W	Description
31:0	RW	<b>MSCRATCHCSW</b> : Machine scratch swap for privilege mode change

Scratch swap register for multiple privilege modes.

### 14.2.34 Machine Scratch Swap for Interrupt-Level Change (`mscratchcsw1`)

CSR Address: 0x349

Reset Value: 0x0000\_0000

Include Condition: SMCLIC = 1

Detailed:

Bit #	R/W	Description
31:0	RW	<b>MSCRATCHCSWL</b> : Machine Scratch Swap for Interrupt-Level Change

Scratch swap register for multiple interrupt levels.

### 14.2.35 CLIC Base (`mllicbase`)

CSR Address: 0x34A

**Note:** The address for the `mllicbase` CSR has not been defined yet in [RISC-V-SMCLIC]. The used address is therefore likely to change. Also it is likely that the `mllicbase` CSR will be removed all together.

Reset Value: 0x0000\_0000

Include Condition: SMCLIC = 1

Detailed:

Bit #	R/W	Description
31:12	R (0x0)	<b>MCLICBASE</b> : CLIC Base
11: 0	R (0x0)	Reserved. Hardwired to 0.

CLIC base register.

**Note:** Currently `mllicbase` CSR is simply hardwired to 0x0 and will therefore likely not reflect the actual CLIC base. This CSR will likely be removed. The [RISC-V-SMCLIC] specification does not specify its address yet and therefore no further attempt is made to further implement this in CV32E40S.

### 14.2.36 Trigger Select Register (`tselect`)

CSR Address: 0x7A0

Reset Value: 0x0000\_0000

Bit #	R/W	Description
31:0	WARL (0x0 - (DBG_NUM_TRIGGERS-1))	CV32E40S implements 0 to DBG_NUM_TRIGGERS triggers. Selects which trigger CSRs are accessed through the <code>tdata*</code> CSRs.

### 14.2.37 Trigger Data 1 (tdata1)

CSR Address: 0x7A1

Reset Value: 0x6800\_1000

Bit#	R/W	Description
31:28	WARL (0x5, 0x6)	<b>TYPE</b> . 5 = Exception trigger, 6 = Address match trigger type.
27	WARL (0x1)	<b>DMODE</b> . Only debug mode can write tdata registers.
26:0	WARL	<b>DATA</b> . Trigger data depending on type

**Note:** The WARL behavior of tdata1.DATA depends on the value of tdata1.TYPE as described for mcontrol6 and etrigger.

### 14.2.38 Match Control Type 6 (mcontrol6)

CSR Address: 0x7A1 (mcontrol6 is accessible as tdata1 when tdata1.TYPE is 6)

Reset Value: Not applicable

Bit#	R/W	Description
31:28	WARL (0x6)	<b>TYPE</b> . 6 = Address match trigger.
27	WARL (0x1)	<b>DMODE</b> . Only debug mode can write tdata registers.
26:25	WARL (0x0)	Hardwired to 0.
24	WARL (0x0)	<b>VS</b> . Hardwired to 0.
23	WARL (0x0)	<b>VU</b> . Hardwired to 0.
22	WARL (0x0)	<b>HIT</b> . Hardwired to 0.
21	WARL (0x0)	<b>SELECT</b> . Only address matching is supported.
20	WARL (0x0)	<b>TIMING</b> . Break before the instruction at the specified address.
19:16	WARL (0x0)	<b>SIZE</b> . Match accesses of any size.
15:12	WARL (0x1)	<b>ACTION</b> . Enter debug mode on match.
11	WARL (0x0)	<b>CHAIN</b> . Hardwired to 0.
10:7	WARL (0x0*, 0x2, 0x3)	<b>MATCH</b> . 0: Address matches tdata2, 2: Address is greater than or equal to tdata2, 3: Address is less than tdata2.
6	WARL	<b>M</b> . Match in machine mode.
5	WARL (0x0)	Hardwired to 0.
4	WARL (0x0)	<b>S</b> . Hardwired to 0.
3	WARL	<b>U</b> . Match in user mode.
2	WARL	<b>EXECUTE</b> . Enable matching on instruction address.
1	WARL	<b>STORE</b> . Enable matching on store address.
0	WARL	<b>LOAD</b> . Enable matching on load address.

### 14.2.39 Exception Trigger (etrigger)

CSR Address: 0x7A1 (etrigger is accessible as tdata1 when tdata1.TYPE is 5)

Reset Value: Not applicable

Bit#	R/W	Description
31:28	WARL (0x5)	<b>TYPE</b> . 5 = Exception trigger.
27	WARL (0x1)	<b>DMODE</b> . Only debug mode can write tdata registers.
26	WARL (0x0)	<b>HIT</b> . Hardwired to 0.
25:13	WARL (0x0)	Hardwired to 0.
12	WARL (0x0)	<b>VS</b> . Hardwired to 0.
11	WARL (0x0)	<b>VU</b> . Hardwired to 0.
10	WARL	<b>NMI</b> . Set to enable trigger on NMI.
9	WARL	<b>M</b> . Match in machine mode.
8	WARL (0x0)	Hardwired to 0.
7	WARL (0x0)	<b>S</b> . Hardwired to 0.
6	WARL	<b>U</b> . Match in user mode.
5:0	WARL (0x1)	<b>ACTION</b> . Enter debug mode on match.

### 14.2.40 Trigger Data Register 2 (tdata2)

CSR Address: 0x7A2

Reset Value: 0x0000\_0000

Detailed:

Bit#	R/W	Description
31:0	RW	<b>DATA</b>

Accessible in Debug Mode or M-Mode, depending on **tdata1.dmode**. This register stores the instruction address to match against for a breakpoint trigger or the currently selected exception codes for an exception trigger.

### 14.2.41 Trigger Data Register 3 (tdata3)

CSR Address: 0x7A3

Reset Value: 0x0000\_0000

Detailed:

Bit#	R/W	Description
31:0	WARL (0x0)	Hardwired to 0.

Accessible in Debug Mode or M-Mode. CV32E40S does not support the features requiring this register. CSR is hardwired to 0.

### 14.2.42 Trigger Info (tinfo)

CSR Address: 0x7A4

Reset Value: 0x0000\_0060

Detailed:

Bit#	R/W	Description
31:16	WARL (0x0)	Hardwired to 0.
15:0	R (0x20, 0x40)	<b>INFO</b> . Type 5 and 6 are supported.

The **info** field contains one bit for each possible *type* enumerated in *tdata1*. Bit N corresponds to type N. If the bit is set, then that type is supported by the currently selected trigger. If the currently selected trigger does not exist, this field contains 1.

Accessible in Debug Mode or M-Mode.

### 14.2.43 Trigger Control (tcontrol)

CSR Address: 0x7A5

Reset Value: 0x0000\_0000

Detailed:

Bit#	R/W	Description
31:8	WARL (0x0)	Hardwired to 0.
7	WARL (0x0)	<b>MPTE</b> . Hardwired to 0.
6:4	WARL (0x0)	Hardwired to 0.
3	WARL (0x0)	<b>MTE</b> . Hardwired to 0.
2:0	WARL (0x0)	Hardwired to 0.

CV32E40S does not support the features requiring this register. CSR is hardwired to 0.

### 14.2.44 Debug Control and Status (dcsr)

CSR Address: 0x7B0

Reset Value: 0x4000\_0413

Detailed:

Bit #	R/W	Description
31:28	R (0x4)	<b>XDEBUGVER</b> . External debug support exists as described in [RISC-V-DEBUG].
27:18	WARL (0x0)	Reserved
17	WARL (0x0)	<b>EBREAKVS</b> . Hardwired to 0
16	WARL (0x0)	<b>EBREAKVU</b> . Hardwired to 0.
15	RW	<b>EBREAKM</b> . Set to enter debug mode on ebreak during machine mode.
14	WARL (0x0)	Hardwired to 0.
13	WARL (0x0)	<b>EBREAKS</b> . Hardwired to 0.
12	WARL	<b>EBREAKU</b> . Set to enter debug mode on ebreak during user mode.
11	WARL	<b>STEPIE</b> . Set to enable interrupts during single stepping.
10	WARL	<b>STOPCOUNT</b> .
9	WARL (0x0)	<b>STOPTIME</b> . Hardwired to 0.
8:6	R	<b>CAUSE</b> . Return the cause of debug entry.
5	WARL (0x0)	<b>V</b> . Hardwired to 0.
4	WARL (0x1)	<b>MPRVEN</b> . Hardwired to 1.
3	R	<b>NMIP</b> . If set, an NMI is pending
2	RW	<b>STEP</b> . Set to enable single stepping.
1:0	WARL (0x0, 0x3)	<b>PRV</b> . Returns the privilege mode before debug entry.

#### 14.2.45 Debug PC (dpc)

CSR Address: 0x7B1

Reset Value: 0x0000\_0000

Detailed:

Bit #	R/W	Description
31:0	RW	<b>DPC</b> . Debug PC

When the core enters in Debug Mode, DPC contains the virtual address of the next instruction to be executed.

#### 14.2.46 Debug Scratch Register 0/1 (dscratch0/1)

CSR Address: 0x7B2/0x7B3

Reset Value: 0x0000\_0000

Detailed:

Bit #	R/W	Description
31:0	RW	DSCRATCH0/1

### 14.2.47 Machine Cycle Counter (`mcycle`)

CSR Address: 0xB00

Reset Value: 0x0000\_0000

Detailed:

Bit#	R/W	Description
31:0	RW	The lower 32 bits of the 64 bit machine mode cycle counter.

### 14.2.48 Machine Instructions-Retired Counter (`minstret`)

CSR Address: 0xB02

Reset Value: 0x0000\_0000

Detailed:

Bit#	R/W	Description
31:0	RW	The lower 32 bits of the 64 bit machine mode instruction retired counter.

### 14.2.49 Machine Performance Monitoring Counter (`mhpmcounter3 .. mhpmcounter31`)

CSR Address: 0xB03 - 0xB1F

Reset Value: 0x0000\_0000

Detailed:

Bit#	R/W	Description
31:0	R (0x0)	Hardwired to 0.

### 14.2.50 Upper 32 Machine Cycle Counter (`mcycleh`)

CSR Address: 0xB80

Reset Value: 0x0000\_0000

Detailed:

Bit#	R/W	Description
31:0	RW	The upper 32 bits of the 64 bit machine mode cycle counter.



### 14.2.51 Upper 32 Machine Instructions-Retired Counter (`minstreth`)

CSR Address: 0xB82

Reset Value: 0x0000\_0000

Detailed:

Bit#	R/W	Description
31:0	RW	The upper 32 bits of the 64 bit machine mode instruction retired counter.

### 14.2.52 Upper 32 Machine Performance Monitoring Counter (`mhpmcounter3h .. mhpmcounter31h`)

CSR Address: 0xB83 - 0xB9F

Reset Value: 0x0000\_0000

Detailed:

Bit#	R/W	Description
31:0	R (0x0)	Hardwired to 0.

### 14.2.53 CPU Control (`cpuctrl`)

CSR Address: 0xBF0

Reset Value: 0x0000\_0019

Detailed:

Bit #	R/W	Description
31:20	R (0x0)	Reserved. Hardwired to 0.
19:16	RW	<b>RNDDUMMYFREQ</b> : Frequency control for dummy instruction insertion. Dummy instruction inserted every n instructions where n is a range set based on the value written to this register where: 0x0 = 1-4, 0x3 = 1-8, 0x7 = 1-16, 0xF = 1-32, 0x1F = 1-64
15:5	R (0x0)	Reserved. Hardwired to 0.
4	RW	<b>INTEGRITY</b> : Enable integrity checking (1 = enable).
3	RW	<b>PCHARDEN</b> : Enable PC hardening (1 = enable).
2	RW	<b>RNDHINT</b> : Replace SLT hint by a random instruction without register fileside effects (1 = enable).
1	RW	<b>RNDDUMMY</b> : Dummy instruction insertion enable (1 = enable).
0	RW	<b>DATAINDTIMING</b> : Data independent timing enable (1 = enable).

The `cpuctrl` register contains configuration registers for core security features.

### 14.2.54 Secure Seed 0

CSR Address: 0xBF9

Reset Value: LFSR0\_CFG.default\_seed

Detailed:

Bit #	R/W	Description
31:0	RW	Seed for LFSR0. Always reads as 0x0.

The `secureseed0` CSR contains seed data for LFSR0.

### 14.2.55 Secure Seed 1

CSR Address: 0xBFA

Reset Value: LFSR1\_CFG.default\_seed

Detailed:

Bit #	R/W	Description
31:0	RW	Seed for LFSR1. Always reads as 0x0.

The `secureseed1` CSR contains seed data for LFSR1.

### 14.2.56 Secure Seed 2

CSR Address: 0xBFC

Reset Value: LFSR2\_CFG.default\_seed

Detailed:

Bit #	R/W	Description
31:0	RW	Seed for LFSR2. Always reads as 0x0.

The `secureseed2` CSR contains seed data for LFSR2.

### 14.2.57 Machine Vendor ID (`mvendorid`)

CSR Address: 0xF11

Reset Value: 0x0000\_0602

Detailed:

Bit #	R/W	Description
31:7	R (0xC)	Number of continuation codes in JEDEC manufacturer ID.
6:0	R (0x2)	Final byte of JEDEC manufacturer ID, discarding the parity bit.

The `mvendorid` encodes the OpenHW JEDEC Manufacturer ID, which is 2 decimal (bank 13).

### 14.2.58 Machine Architecture ID (`marchid`)

CSR Address: 0xF12

Reset Value: 0x0000\_0015

Detailed:

Bit #	R/W	Description
31:0	R (0x15)	Machine Architecture ID of CV32E40S is 0x15 (decimal 21)

### 14.2.59 Machine Implementation ID (`mimpid`)

CSR Address: 0xF13

Reset Value: Defined

Detailed:

Bit #	R/W	Description
31:20	R (0x0)	Hardwired to 0.
19:16	R (0x0)	<b>MAJOR.</b>
15:12	R (0x0)	Hardwired to 0.
11:8	R (0x0)	<b>MINOR.</b>
7:4	R (0x0)	Hardwired to 0.
3:0	R	<b>PATCH.</b> <code>mimpid_patch_i</code> , see <i>Core Integration</i>

The Machine Implementation ID uses a Major, Minor, Patch versioning scheme. The **PATCH** bitfield is defined and set by the integrator and shall be set to 0 when no patches are applied. It is made available as `mimpid_patch_i` on the boundary of CV32E40S such that it can easily be changed by a metal layer only change.

### 14.2.60 Hardware Thread ID (`mhartid`)

CSR Address: 0xF14

Reset Value: Defined

Bit #	R/W	Description
31:0	R	Machine Hardware Thread ID <code>mhartid_i</code> , see <i>Core Integration</i>

### 14.2.61 Machine Configuration Pointer (`mconfigptr`)

CSR Address: 0xF15

Reset Value: 0x0000\_0000

Detailed:

Bit#	R/W	Definition
31:0	R (0x0)	Reserved

### 14.2.62 Machine Security Configuration (mseccfg)

CSR Address: 0x747

Reset Value: defined (based on PMP\_MSECCFG\_RV)

Detailed:

Bit#	R/W	Definition
31:10	WPRI (0x0)	Hardwired to 0.
9	R (0x0)	<b>SSEED</b> . Hardwired to 0.
2	R (0x0)	<b>USEED</b> . Hardwired to 0.
7:3	WPRI (0x0)	Hardwired to 0.
2	WARL	<b>RLB</b> . Rule Locking Bypass.
1	WARL	<b>MMWP</b> . Machine Mode Whitelist Policy. This is a sticky bit and once set can only be unset due to <code>rst_ni</code> assertion.
0	WARL	<b>MML</b> . Machine Mode Lockdown. This is a sticky bit and once set can only be unset due to <code>rst_ni</code> assertion.

**Note:** mseccfg is hardwired to 0x0 if PMP\_NUM\_REGIONS == 0.

### 14.2.63 Machine Security Configuration (mseccfgh)

CSR Address: 0x757

Reset Value: 0x0000\_0000

Detailed:

Bit#	R/W	Definition
31:0	WPRI (0x0)	Hardwired to 0.

### 14.2.64 PMP Configuration (pmpcfg0-pmpcfg15)

CSR Address: 0x3A0 - 0x3AF

Reset Value: defined (based on PMP\_PMPNCFG\_RV[])

Detailed pmpcfg0:

Bit#	Definition
31:24	PMP3CFG
23:16	PMP2CFG
15:8	PMP1CFG
7:0	PMPOCFG

Detailed pmpcfg1:

Bit#	Definition
31:24	PMP7CFG
23:16	PMP6CFG
15:8	PMP5CFG
7:0	PMP4CFG

...

Detailed `pmpcfg15`:

Bit#	Definition
31:24	PMP63CFG
23:16	PMP62CFG
15:8	PMP61CFG
7:0	PMP60CFG

The configuration fields for each `pmpcfg` are as follows:

Bit#	R/W	Definition
7	WARL	<b>L</b> . Lock
6:5	WARL (0x0)	Reserved
4:3	WARL	<b>A</b> . Mode
2	WARL / WARL	<b>X</b> . Execute permission
1	(0x0, 0x1, 0x3, 0x4,	<b>W</b> . Write permission
0	0x5, 0x7)	<b>R</b> . Read permission

**Note:** `pmpcfg` is WARL (0x0) if `x >= PMP_NUM_REGIONS`.

**Note:** If `msecfg.MML = 0`, then the **R**, **W** and **X** together form a collective WARL field for which the combinations with **R** = 0 and **W** = 1 are reserved for future use. The value of the collective **R**, **W**, **X** bitfield will remain unchanged when attempting to write **R** = 0 and **W** = 1 while `msecfg.MML = 0`. If `msecfg.MML = 1`, then the **R**, **W** and **X** together form a collective WARL field in which all values are valid.

### 14.2.65 PMP Address (`pmpaddr0` - `pmpaddr63`)

CSR Address: 0x3B0 - 0x3EF

Reset Value: defined (based on `PMP_PMPADDR_RV[]`)

Bit#	R/W	Definition
31:0	WARL / WARL (0x0)	ADDRESS[33:2]

**Note:** `pmpaddrx` is WARL if `x < PMP_NUM_REGIONS` and WARL (0x0) otherwise.

## 14.3 Hardened CSRs

Some CSRs have been implemented with error detection using an inverted shadow copy. If an attack is successful in altering the register value, the error detection logic will trigger a major alert.

This applies to the following registers:

- cpuctrl
- dcsr
- jvt
- mclibase
- mepc
- mie
- mintstatus
- mintthresh
- mscratch
- mscratchcsw
- mscratchcswl
- mseccfg\*
- mstatus
- mtvec
- mtvt
- pmpaddr\*
- pmpcfg

## PERFORMANCE COUNTERS

CV32E40S implements performance counters according to [RISC-V-PRIV]. The performance counters are placed inside the Control and Status Registers (CSRs) and can be accessed with the CSRRW(I) and CSRRS/C(I) instructions.

CV32E40S implements the clock cycle counter `mcycle(h)` and the retired instruction counter `minstret(h)`. The `mcycle(h)` and `minstret(h)` counters are always available and 64 bit wide. The event counters `mhpmcounter3(h)` - `mhpmcounter31(h)` and the corresponding event selector CSRs `mhpmevent3` - `mhpmevent31` are hard-wired to 0. The `mcountinhibit` CSR is used to individually enable/disable the counters.

---

**Note:** All performance counters are using the gated version of `clk_i`. The `wfi` instruction impact the gating of `clk_i` as explained in *Sleep Unit* and can therefore affect the counters.

---

### 15.1 Controlling the counters from software

By default, all available counters are disabled after reset in order to provide the lowest power consumption.

They can be individually enabled/disabled by overwriting the corresponding bit in the `mcountinhibit` CSR at address `0x320` as described in [RISC-V-PRIV]. In particular, to enable/disable `mcycle(h)`, bit 0 must be written. For `minstret(h)`, it is bit 2.

The lower 32 bits of all counters can be accessed through the base register, whereas the upper 32 bits are accessed through the `h`-register. Reads of all these registers are non-destructive.

### 15.2 Time Registers (`time(h)`)

The user mode `time(h)` registers are not implemented. Any access to these registers will cause an illegal instruction trap. It is recommended that a software trap handler is implemented to detect access of these CSRs and convert that into access of the platform-defined `mtime` register (if implemented in the platform).





## EXCEPTIONS AND INTERRUPTS

CV32E40S supports one of two interrupt architectures. If the SMCLIC parameter is set to 0, then the basic interrupt architecture is supported (see *Basic Interrupt Architecture*). If the SMCLIC parameter is set to 1, then the CLIC interrupt architecture is supported (see *CLIC Interrupt Architecture*).

### 16.1 Exceptions

CV32E40S can trigger the following exceptions as reported in mcause:

In-ter-rupt	Ex-cep-tion Code	Description	Scenario(s)
0	1	Instruction access fault	Execution attempt from I/O region. Execution attempt with address failing PMP check.
0	2	Illegal instruction	
0	3	Breakpoint	Environment break.
0	5	Load access fault	Non-naturally aligned load access attempt to an I/O region. Load-Reserved attempt to region without atomic support. Load attempt with address failing PMP check.
0	7	Store/AMO access fault	Non-naturally aligned store access attempt to an I/O region. Store-Conditional or Atomic Memory Operation (AMO) attempt to region without atomic support. Store attempt with address failing PMP check.
0	8	Environment call from U-Mode (ECALL)	
0	11	Environment call from M-Mode (ECALL)	
0	24	Instruction bus fault	instr_err_i = 1 and instr_rvalid_i = 1 for instruction fetch
0	25	Instruction parity/checksum fault	instr_gntpar_i, instr_rvalidpar, instr_rchk_i related errors

If an instruction raises multiple exceptions, the priority, from high to low, is as follows:

- instruction access fault (1)
- instruction parity/checksum fault (25)

- instruction bus fault (24)
- illegal instruction (2)
- environment call from U-Mode (8)
- environment call from M-Mode (11)
- environment break (3)
- store/AMO access fault (7)
- load access fault (5)

Exceptions in general cannot be disabled and are always active. All exceptions are precise. Whether the PMP and PMA will actually cause exceptions depends on their configuration. CV32E40S raises an illegal instruction exception for any instruction in the RISC-V privileged and unprivileged specifications that is explicitly defined as being illegal according to the ISA implemented by the core, as well as for any instruction that is left undefined in these specifications unless the instruction encoding is configured as a custom CV32E40S instruction for specific parameter settings as defined in (see *CORE-V Instruction Set Extensions*). An instruction bus error leads to a precise instruction interface bus fault if an attempt is made to execute the instruction that has an associated bus error. Similarly an instruction fetch with a failing PMA or PMP check only leads to an instruction access exception if an actual execution attempt is made for it.

## 16.2 Non Maskable Interrupts

Non Maskable Interrupts (NMIs) update `mepc`, `mcause` and `mstatus` similar to regular interrupts. However, as the faults that result in NMIs are imprecise, the contents of `mepc` is not guaranteed to point to the instruction after the faulted load or store.

---

**Note:** Specifically `mstatus.mie` will get cleared to 0 when an (unrecoverable) NMI is taken. [RISC-V-PRIV] does not specify the behavior of `mstatus` in response to NMIs, see <https://github.com/riscv/riscv-isa-manual/issues/756>. If this behavior is specified at a future date, then we will reconsider our implementation.

---

If `SMCLIC == 0`, then the NMI vector location is as follows:

- Upon an NMI in non-vectorized basic mode the core jumps to `mtvec[31:7]`, 5'h0, 2'b00} (i.e. index 0).
- Upon an NMI in vectorized basic mode the core jumps to `mtvec[31:7]`, 5'hF, 2'b00} (i.e. index 15).

If `SMCLIC == 1`, then the NMI vector location is as follows:

- Upon an NMI in CLIC mode the core jumps to `mtvec[31:7]`, 5'h0, 2'b00} (i.e. index 0).

---

**Note:** For NMIs the exception codes in the `mcause` CSR do not match the table index as for regular interrupts.

---

An NMI will occur when a load or store instruction experiences a bus fault. The fault resulting in an NMI is handled in an imprecise manner, meaning that the instruction that causes the fault is allowed to retire and the associated NMI is taken afterwards. NMIs are never masked by the MIE bit. NMIs are masked however while in debug mode or while single stepping with `STEPIE = 0` in the `dcsr` CSR. This means that many instructions may retire before the NMI is visible to the core if debugging is taking place. Once the NMI is visible to the core, at most two instructions will retire before the NMI is taken.

If an NMI becomes pending while in debug mode as described above, the NMI will be taken immediately after debug mode has been exited.

In case of bufferable stores, the NMI is allowed to become visible an arbitrary time after the instruction retirement. As for the case with debugging, this can cause several instructions to retire before the NMI becomes visible to the core.

When a data bus fault occurs, the first detected fault will be latched and used for `mcause` when the NMI is taken. Any new data bus faults occurring while an NMI is pending will be discarded. When the NMI handler is entered, new data bus faults may be latched.

While an NMI is pending, `DCSR.nmip` will be 1. Note that this CSR is only accessible from debug mode, and is thus not visible for machine mode code.

## 16.3 Basic Interrupt Architecture

If `SMCLIC == 0`, then CV32E40S supports the basic interrupt architecture as defined in [RISC-V-PRIV]. In this configuration only the basic interrupt handling modes (non-vectored basic mode and vectored basic mode) can be used. The `irq_i[31:16]` interrupts are a custom extension that can be used with the basic interrupt architecture.

When entering an interrupt/exception handler, the core sets the `mepc` CSR to the current program counter and saves `mstatus.MIE` to `mstatus.MPIE`. All exceptions cause the core to jump to the base address of the vector table in the `mtvec` CSR. Interrupts are handled in either non-vectored basic mode or vectored basic mode depending on the value of `mtvec.MODE`. In non-vectored basic mode the core jumps to the base address of the vector table in the `mtvec` CSR. In vectored basic mode the core jumps to the base address plus four times the interrupt ID. Upon executing an `MRET` instruction, the core jumps to the program counter previously saved in the `mepc` CSR and restores `mstatus.MPIE` to `mstatus.MIE`.

The base address of the vector table must be aligned to 128 bytes and can be programmed by writing to the `mtvec` CSR (see *Machine Trap-Vector Base Address (mtvec) - SMCLIC == 0*).

### 16.3.1 Interrupt Interface

Table 16.1 describes the interrupt interface used for the basic interrupt architecture.

Table 16.1: Basic interrupt architecture interface signals

Signal	Direction	Description
<code>irq_i[31:16]</code>	input	Active high, level sensitive interrupt inputs. Custom extension.
<code>irq_i[15:12]</code>	input	Reserved. Tie to 0.
<code>irq_i[11]</code>	input	Active high, level sensitive interrupt input. Referred to as Machine External Interrupt (MEI), but integrator can assign a different purpose if desired.
<code>irq_i[10:8]</code>	input	Reserved. Tie to 0.
<code>irq_i[7]</code>	input	Active high, level sensitive interrupt input. Referred to as Machine Timer Interrupt (MTI), but integrator can assign a different purpose if desired.
<code>irq_i[6:4]</code>	input	Reserved. Tie to 0.
<code>irq_i[3]</code>	input	Active high, level sensitive interrupt input. Referred to as Machine Software Interrupt (MSI), but integrator can assign a different purpose if desired.
<code>irq_i[2:0]</code>	input	Reserved. Tie to 0.

**Note:** The `clic*_i` pins are ignored in basic mode and should be tied to 0.

### 16.3.2 Interrupts

The `irq_i[31:0]` interrupts are controlled via the `mstatus`, `mie` and `mip` CSRs. CV32E40S uses the upper 16 bits of `mie` and `mip` for custom interrupts (`irq_i[31:16]`), which reflects an intended custom extension in the RISC-V basic (a.k.a. CLINT) interrupt architecture. After reset, all interrupts, except for NMIs, are disabled. To enable any of the `irq_i[31:0]` interrupts, both the global interrupt enable (MIE) bit in the `mstatus` CSR and the corresponding individual interrupt enable bit in the `mie` CSR need to be set. For more information, see the *Control and Status Registers* documentation.

If multiple interrupts are pending, they are handled in the fixed priority order defined by [RISC-V-PRIV]. The highest priority is given to the interrupt with the highest ID, except for the Machine Timer Interrupt, which has the lowest priority. So from high to low priority the interrupts are ordered as follows:

- store parity/checksum fault NMI (1027)
- load parity/checksum fault NMI (1026)
- store bus fault NMI (1025)
- load bus fault NMI (1024)
- `irq_i[31]`
- `irq_i[30]`
- ...
- `irq_i[16]`
- `irq_i[11]`
- `irq_i[3]`
- `irq_i[7]`

The `irq_i[31:0]` interrupt lines are level-sensitive. The NMIs are triggered by load/store bus fault events and load/store parity/checksum fault events. To clear the `irq_i[31:0]` interrupts at the external source, CV32E40S relies on a software-based mechanism in which the interrupt handler signals completion of the handling routine to the interrupt source, e.g., through a memory-mapped register, which then deasserts the corresponding interrupt line.

In Debug Mode, all interrupts are ignored independent of `mstatus.MIE` and the content of the `mie` CSR.

CV32E40S can trigger the following interrupts as reported in `mcause`:

Interrupt	Exception Code	Description	Scenario(s)
1	3	Machine Software Interrupt (MSI)	<code>irq_i[3]</code>
1	7	Machine Timer Interrupt (MTI)	<code>irq_i[7]</code>
1	11	Machine External Interrupt (MEI)	<code>irq_i[11]</code>
1	31-16	Machine Fast Interrupts	<code>irq_i[31]-irq_i[16]</code>
1	1024	Load bus fault NMI (imprecise)	<code>data_err_i = 1</code> and <code>data_rvalid_i = 1</code> for load
1	1025	Store bus fault NMI (imprecise)	<code>data_err_i = 1</code> and <code>data_rvalid_i = 1</code> for store
1	1026	Load parity/checksum fault NMI (imprecise)	Load parity/checksum fault (imprecise)
1	1027	Store parity/checksum fault NMI (imprecise)	Store parity/checksum fault (imprecise)

---

**Note:** Load bus fault, store bus fault, load parity/checksum fault and store parity/checksum fault are handled as imprecise non-maskable interrupts (as opposed to precise exceptions).

---

**Note:** The NMI vector location is at index 15 of the machine trap vector table for both non-vectored basic mode and vectored basic mode (i.e. at {**mtvec**[31:7], 5'hF, 2'b00}). The NMI vector location therefore does **not** match its exception code.

---

### 16.3.3 Nested Interrupt Handling

Within the basic interrupt architecture there is no hardware support for nested interrupt handling. Nested interrupt handling can however still be supported via software.

The hardware automatically disables interrupts upon entering an interrupt/exception handler. Otherwise, interrupts during the critical part of the handler, i.e. before software has saved the `mepc` and `mstatus` CSRs, would cause those CSRs to be overwritten. If desired, software can explicitly enable interrupts by setting `mstatus.MIE` to 1 from within the handler. However, software should only do this after saving `mepc` and `mstatus`. There is no limit on the maximum number of nested interrupts. Note that, after enabling interrupts by setting `mstatus.MIE` to 1, the current handler will be interrupted also by lower priority interrupts. To allow higher priority interrupts only, the handler must configure `mie` accordingly.

## 16.4 CLIC Interrupt Architecture

If `SMCLIC == 1`, then CV32E40S supports the Core-Local Interrupt Controller (CLIC) Privileged Architecture Extension defined in [RISC-V-SMCLIC]. In this configuration only the CLIC interrupt handling mode can be used (i.e. `mtvec[1:0] = 0x3`).

The CLIC implementation is split into a part internal to the core (containing CSRs and related logic) and a part external to the core (containing memory mapped registers and arbitration logic). CV32E40S only provides the core internal part of CLIC. The external part can be added on the interface described in *Interrupt Interface*. CLIC provides low-latency, vectored, pre-emptive interrupts.

### 16.4.1 Interrupt Interface

Table 16.2 describes the interrupt interface used for the CLIC interrupt architecture.

Table 16.2: CLIC interrupt architecture interface signals

Signal	Direction	Description
<code>cllic_irq_i</code>	input	Is there any pending-and-enabled interrupt?
<code>cllic_irq_id_i</code> [ <code>SMCLIC_IRQ_ID_WIDTH-1:0</code> ]	input	Index of the most urgent pending-and-enabled interrupt.
<code>cllic_irq_level_i</code> [7:0]	input	Interrupt level of the most urgent pending-and-enabled interrupt.
<code>cllic_irq_priv_i</code> [1:0]	input	Associated privilege mode of the most urgent pending-and-enabled interrupt. Only machine-mode interrupts are supported.
<code>cllic_irq_shv_i</code>	input	Selective hardware vectoring enabled for the most urgent pending-and-enabled interrupt?

The term *pending-and-enabled* interrupt in above table refers to *pending-and-locally-enabled*, i.e. based on the CLICINTIP and CLICINTIE memory mapped registers from [RISC-V-SMCLIC].

---

**Note:** Edge triggered interrupts are not supported.

---

---

**Note:** clic\_irq\_shv\_i shall be 0 if cliccfg.nvbits of the external CLIC module is 0.

---

---

**Note:** clic\_irq\_priv\_i[1:0] shall be tied to 2'b11 (machine).

---

---

**Note:** The irq\_i[31:0] pins are ignored in CLIC mode and should be tied to 0.

---

### 16.4.2 Interrupts

Although the [RISC-V-SMCLIC] specification supports up to 4096 interrupts, CV32E40S itself supports at most 1024 interrupts. The maximum number of supported CLIC interrupts is equal to  $2^{\text{SMCLIC\_ID\_WIDTH}}$ , which can range from 2 to 1024. The SMCLIC\_ID\_WIDTH parameter also impacts the alignment requirement for the trap vector table, see *Machine Trap Vector Table Base Address (mtvt)*.

### 16.4.3 Nested Interrupt Handling

CV32E40S offers hardware support for nested interrupt handling when SMCLIC == 1.

CLIC extends interrupt preemption to support up to 256 interrupt levels for each privilege mode, where higher-numbered interrupt levels can preempt lower-numbered interrupt levels. See [RISC-V-SMCLIC] for details.

## DEBUG & TRIGGER

CV32E40S offers support for execution-based debug according to [RISC-V-DEBUG]. The main requirements for the core are described in Chapter 4: RISC-V Debug, Chapter 5: Trigger Module, and Appendix A.2: Execution Based.

---

**Note:** As execution based debug is used, the Debug Module (with code entry points defined by `dm_halt_addr_i` and `dm_exception_addr_i`) needs to be located in a memory region that supports code execution. This therefore (at least) requires that the related memory region is marked as Main in the PMA (*Physical Memory Attribution (PMA)*), which is the default behavior if the PMA is deconfigured.

---

The following list shows the simplified overview of events that occur in the core when debug is requested:

1. Enters Debug Mode
2. Saves the PC to `dpc`
3. Updates the cause in `dcsr`
4. Points the PC to the location determined by the input port `dm_haltaddr_i`
5. Begins executing debug control code

Debug Mode can be entered by one of the following conditions:

- External debug event using the `debug_req_i` signal
- Trigger Module match event with `tdata1.action` set to 1
- ebreak instruction when not in Debug Mode and when `dcsr.EBREAKM == 1` (see *EBREAK Behavior* below)
- ebreak instruction in user mode when `dcsr.EBREAKU == 1` (see *EBREAK Behavior* below)

A user wishing to perform an abstract access, whereby the user can observe or control a core's GPR or CSR register from the hart, is done by invoking debug control code to move values to and from internal registers to an externally addressable Debug Module (DM). Using this execution-based debug allows for the reduction of the overall number of debug interface signals.

---

**Note:** Debug support in CV32E40S is only one of the components needed to build a System on Chip design with run-control debug support (think “the ability to attach GDB to a core over JTAG”). Additionally, a Debug Module and a Debug Transport Module, compliant with [RISC-V-DEBUG], are needed.

A supported open source implementation of these building blocks can be found in the [RISC-V Debug Support for PULP Cores IP block](#).

---

The CV32E40S also supports a Trigger Module to enable entry into Debug Mode on a trigger event with the following features:

- Number of trigger register(s): Parametrizable number of triggers using parameter `DBG_NUM_TRIGGERS`.
- Supported trigger types: Execute/load/store address match (Match Control) and exception trigger.

The compare value used to determine an execute address match is the PC of the instruction, i.e. only the lowest virtual address of the instruction is used. The compare value(s) used to determine a load/store address match depend(s) on the size of the transferred data item as well as the lowest virtual address of the access. A byte load/store for address `A` only uses `A` as compare value; a halfword load/store for address `A` uses `A` and `A+1` as compare values; a word load/store for address `A` uses `A`, `A+1`, `A+2` and `A+3` as compare values.

A trigger match will cause debug entry if `tdata1.ACTION` is 1.

The CV32E40S will not support the optional debug features 10, 11, & 12 listed in Section 4.1 of [RISC-V-DEBUG]. Specifically, a control transfer instruction's destination location being in or out of the Program Buffer and instructions depending on PC value shall **not** cause an illegal instruction.

## 17.1 Interface

Signal	Direction	Description
<code>debug_req_i</code>	input	Request to enter Debug Mode
<code>debug_havereset_o</code>	output	Debug status: Core has been reset
<code>debug_running_o</code>	output	Debug status: Core is running
<code>debug_halted_o</code>	output	Debug status: Core is halted
<code>debug_pc_valid_o</code>	output	Valid signal for <code>debug_pc_o</code>
<code>debug_pc_o</code>	output	PC of last completed instruction
<code>dm_halt_addr_i[31:0]</code>	input	Address for debugger entry
<code>dm_exception_addr_i[31:0]</code>	input	Address for debugger exception entry

`debug_req_i` is the “debug interrupt”, issued by the debug module when the core should enter Debug Mode. The `debug_req_i` is synchronous to `clk_i` and requires a minimum assertion of one clock period to enter Debug Mode. The instruction being decoded during the same cycle that `debug_req_i` is first asserted shall not be executed before entering Debug Mode.

`debug_havereset_o`, `debug_running_o`, and `debug_mode_o` signals provide the operational status of the core to the debug module. The assertion of these signals is mutually exclusive.

`debug_havereset_o` is used to signal that the CV32E40S has been reset. `debug_havereset_o` is set high during the assertion of `rst_ni`. It will be cleared low a few (unspecified) cycles after `rst_ni` has been deasserted **and** `fetch_enable_i` has been sampled high.

`debug_running_o` is used to signal that the CV32E40S is running normally.

`debug_halted_o` is used to signal that the CV32E40S is in debug mode.

`debug_pc_o` is the PC of the last completed instruction. An instruction is considered to be completed when it retires or when it causes a synchronous trap. This signal is only valid when `debug_pc_valid_o` = 1.

`dm_halt_addr_i` is the address where the PC jumps to for a debug entry event. When in Debug Mode, an ebreak instruction will also cause the PC to jump back to this address without affecting status registers. (see *EBREAK Behavior* below)

`dm_exception_addr_i` is the address where the PC jumps to when an exception occurs during Debug Mode. When in Debug Mode, the `mret` and `ecall` instructions will also cause the PC to jump back to this address without affecting status registers.

Both `dm_halt_addr_i` and `dm_exception_addr_i` must be word aligned.



## 17.2 Core Debug Registers

CV32E40S implements four core debug registers, namely *Debug Control and Status (dcsr)*, *Debug PC (dpc)*, and two debug scratch registers. Access to these registers in non Debug Mode results in an illegal instruction.

The trigger related CSRs (*tselect*, *tdata1*, *tdata2*, *tdata3*, *tinfo*, *tcontrol*) are only included if `DBG_NUM_TRIGGERS` is set to a value greater than 0. Further descriptions of these CSRs can be found in *Trigger Select Register (tselect)*, *Trigger Data 1 (tdata1)*, *Trigger Data Register 2 (tdata2)*, *Trigger Data Register 3 (tdata3)*, *Trigger Info (tinfo)*, *Trigger Control (tcontrol)* and [RISC-V-DEBUG]. The optional *mcontext* and *mscontext* CSRs are not implemented.

If `DBG_NUM_TRIGGERS` is 0, access to the trigger registers will result in an illegal instruction exception.

The `tdata1.DMODE` bitfield controls write access permission to the currently selected triggers `tdata*` registers. In CV32E40S this bit is tied to 1, and thus only debug mode is able to write to the trigger registers.

## 17.3 Debug state

As specified in RISC-V Debug Specification ([RISC-V-DEBUG]) every hart that can be selected by the Debug Module is in exactly one of four states: `nonexistent`, `unavailable`, `running` or `halted`.

The remainder of this section assumes that the CV32E40S will not be classified as `nonexistent` by the integrator.

The CV32E40S signals to the Debug Module whether it is `running` or `halted` via its `debug_running_o` and `debug_halted_o` pins respectively. Therefore, assuming that this core will not be integrated as a `nonexistent` core, the CV32E40S is classified as `unavailable` when neither `debug_running_o` or `debug_halted_o` is asserted. Upon `rst_ni` assertion the debug state will be `unavailable` until some cycle(s) after `rst_ni` has been deasserted and `fetch_enable_i` has been sampled high. After this point (until a next reset assertion) the core will transition between having its `debug_halted_o` or `debug_running_o` pin asserted depending whether the core is in debug mode or not. Exactly one of the `debug_havereset_o`, `debug_running_o`, `debug_halted_o` is asserted at all times.

Figure 17.1 and show Figure 17.2 show typical examples of transitioning into the `running` and `halted` states.

The key properties of the debug states are:

- The CV32E40S can remain in its `unavailable` state for an arbitrarily long time (depending on `rst_ni` and `fetch_enable_i`).
- If `debug_req_i` is asserted after `rst_ni` deassertion and before or coincident with the assertion of `fetch_enable_i`, then the CV32E40S is guaranteed to transition straight from its `unavailable` state into its `halted` state. If `debug_req_i` is asserted at a later point in time, then the CV32E40S might transition through the `running` state on its way to the `halted` state.
- If `debug_req_i` is asserted during the `running` state, the core will eventually transition into the `halted` state (typically after a couple of cycles).

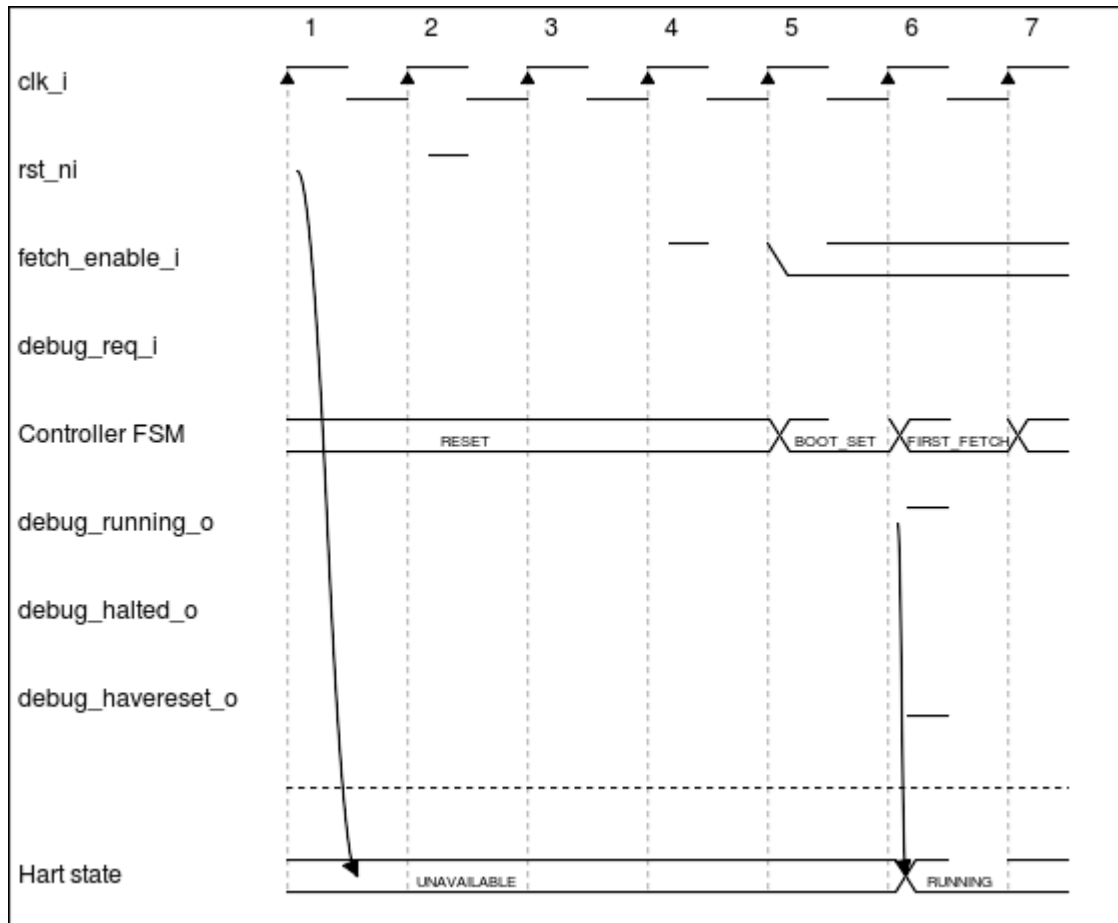


Figure 17.1: Transition into debug running state

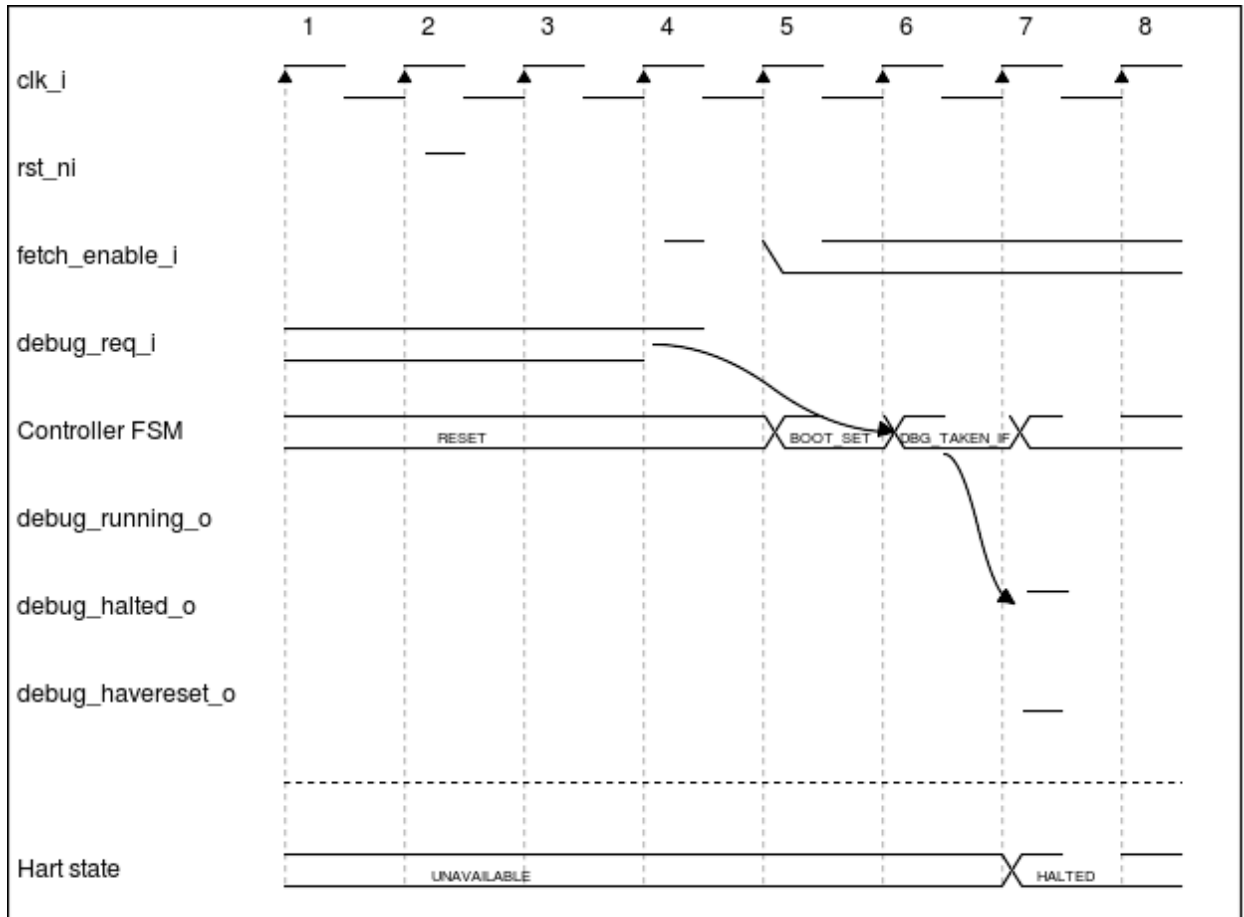


Figure 17.2: Transition into debug halted state

## 17.4 EBREAK Behavior

The `ebreak` instruction description is distributed across several RISC-V specifications: [RISC-V-DEBUG], [RISC-V-PRIV], [RISC-V-UNPRIV]. The following is a summary of the behavior for three common scenarios.

### 17.4.1 Scenario 1 : Enter Exception

Executing the `ebreak` instruction in machine mode when the core is **not** in Debug Mode and `dcsr.EBREAKM == 0` shall result in the following actions:

- The core enters the exception handler routine located at `mtvec` (Debug Mode is not entered)
- `mepc` and `mcause` are updated

Execution of an `ebreak` instruction in user mode when the core is **not** in Debug Mode and `dcsr.EBREAKU == 0` triggers exception entry in a similar manner.

To properly return from the exception, the `ebreak` handler will need to increment the `mepc` to the next instruction. This requires querying the size of the `ebreak` instruction that was used to enter the exception (16 bit `c.ebreak` or 32 bit `ebreak`).

---

**Note:** CV32E40S does not support `mtval` CSR register which would have saved the value of the instruction for exceptions.

---

### 17.4.2 Scenario 2 : Enter Debug Mode

Executing the `ebreak` instruction in machine mode when the core is **not** in Debug Mode and `dcsr.EBREAKM == 1` shall result in the following actions:

- The core enters Debug Mode and starts executing debug code located at `dm_halt_addr_i` (exception routine not called)
- `dpc` and `dcsr` are updated

Execution of an `ebreak` instruction in user mode when the core is **not** in Debug Mode and `dcsr.EBREAKU == 1` triggers debug mode entry in a similar manner.

Similar to the exception scenario above, the debugger will need to increment the `dpc` to the next instruction before returning from Debug Mode.

---

**Note:** The default value of `dcsr.EBREAKM` is 0 and the `dcsr` is only accessible in Debug Mode. To enter Debug Mode from `ebreak`, the user will first need to enter Debug Mode through some other means, such as from the external `debug_req_i`, and set `dcsr.EBREAKM`.

---

### 17.4.3 Scenario 3 : Exit Program Buffer & Restart Debug Code

Executing the ebreak instruction when the core is in Debug Mode shall result in the following actions:

- The core remains in Debug Mode and execution jumps back to the beginning of the debug code located at `dm_halt_addr_i`
- None of the CSRs are modified



## RISC-V FORMAL INTERFACE

**Note:** A bindable RISC-V Formal Interface (RVFI) interface will be provided for CV32E40S. See [SYMBIOTIC-RVFI] for details on RVFI.

The module `cv32e40s_rvfi` can be used to create a log of the executed instructions. It is a behavioral, non-synthesizable, module that can be bound to the `cv32e40s_core`.

RVFI serves the following purposes:

- It can be used for formal verification.
- It can be used to produce an instruction trace during simulation.
- It can be used as a monitor to ease interfacing with an external scoreboard that itself can be interfaced to an Instruction Set Simulator (ISS) for verification reasons.

### 18.1 New Additions

#### Debug Signals

```
output [NRET * 3 - 1 : 0] rvfi_dbg
output [NRET      - 1 : 0] rvfi_dbg_mode
```

Debug entry is seen by RVFI as happening between instructions. This means that neither the last instruction before debug entry nor the first instruction of the debug handler will signal any direct side-effects. The first instruction of the handler will however show the resulting state caused by these side-effects (e.g. the CSR `rmask/rdata` signals will show the updated values, `pc_rdata` will be at the debug handler address, etc.).

For the first instruction after entering debug, the `rvfi_dbg` signal contains the debug cause (see table below). The signal is otherwise 0. The `rvfi_dbg_mode` signal is high if the instruction was executed in debug mode and low otherwise.

Table 18.1: Debug Causes

Cause	Value
None	0x0
Ebreak	0x1
Trigger Match	0x2
External Request	0x3
Single Step	0x4

**Note:** `rvfi_dbg` will not always match `dcscr.CAUSE` because an `ebreak` in debug mode will be reported via `rvfi_dbg`, whereas `dcscr.CAUSE` will remain unchanged for that case.

### NMI signals

**output** [1:0] `rvfi_nmip`

Whenever CV32E40S has a pending NMI, the `rvfi_nmip` will signal this. `rvfi_nmip[0]` will be 1 whenever an NMI is pending, while `rvfi_nmip[1]` will be 0 for loads and 1 for stores.

## 18.2 Compatibility

This chapter specifies interpretations and compatibilities to the [SYMBIOTIC-RVFI].

### Interface Qualification

All RVFI output signals are qualified with the `rvfi_valid` signal. Any RVFI operation (retired or trapped instruction) will set `rvfi_valid` high and increment the `rvfi_order` field. When `rvfi_valid` is low, all other RVFI outputs can be driven to arbitrary values.

### Trap Signal

The trap signal indicates that a synchronous trap has occurred and side-effects can be expected.

**output** `rvfi_trap_t[NRET - 1 : 0]` `rvfi_trap`

Where the `rvfi_trap_t` struct contains the following fields:

Table 18.2: RVFI trap type

Field	Type	Bits
<code>trap</code>	logic	[0]
<code>exception</code>	logic	[1]
<code>debug</code>	logic	[2]
<code>exception_cause</code>	logic [5:0]	[8:3]
<code>debug_cause</code>	logic [2:0]	[11:9]
<code>cause_type</code>	logic [1:0]	[13:12]

`rvfi_trap` consists of 14 bits. `rvfi_trap.trap` is asserted if an instruction causes an exception or debug entry. `rvfi_trap.exception` is set for synchronous traps that do not cause debug entry. `rvfi_trap.debug` is set for synchronous traps that do cause debug mode entry. `rvfi_trap.exception_cause` provide information about non-debug traps, while `rvfi_trap.debug_cause` provide information about traps causing entry to debug mode. `rvfi_trap.cause_type` differentiates between fault causes that map to the same exception code in `rvfi_trap.exception_cause` and `rvfi_trap.debug_cause`. When an exception is caused by a single stepped instruction, both `rvfi_trap.exception` and `rvfi_trap.debug` will be set. When `rvfi_trap` signals a trap, CSR side effects and a jump to a trap/debug handler in the next cycle can be expected. The different trap scenarios, their expected side-effects and trap signalling are listed in the table below:



Table 18.3: Table of synchronous trap types

Scenario	Trap Type	rvfi_trap						cause	CSRs updated	Description
		trap	exception	debug	exception	debug	cause			
Instruction Access Fault	Exception	1	1	X	0x01	X	0x0	mcause, mepc	PMA detects instruction execution from non-executable memory.	
								0x1	mcause, mepc	PMP detects instruction execution from non-executable memory.
Illegal Instruction	Exception	1	1	X	0x02	X	0x0	mcause, mepc	Illegal instruction decode.	
Breakpoint	Exception	1	1	X	0x03	X	0x0	mcause, mepc	EBREAK executed with dcsr.ebreakm = 0.	
Load Access Fault	Exception	1	1	X	0x05	X	0x0	mcause, mepc	Non-naturally aligned load access attempt to an I/O region.	
								0x2	mcause, mepc	Load attempt with address failing PMP check.
Store/AMO Access Fault	Exception	1	1	X	0x07	X	0x0	mcause, mepc	Non-naturally aligned store access attempt to an I/O region.	
								0x2	mcause, mepc	Store attempt with address failing PMP check.
Environment Call	Exception	1	1	X	0x08	X	0x0	mcause, mepc	ECALL executed from User mode.	
								0x0	mcause, mepc	ECALL executed from Machine mode.
Instruction Bus Fault	Exception	1	1	X	0x24	X	0x0	mcause, mepc	OBI bus error on instruction fetch.	
Instruction Parity / Checksum Fault	Exception	1	1	X	0x25	X	0x0	mcause, mepc	Instruction parity / checksum fault.	
Breakpoint to debug	Debug	1	0	1	X	0x1	0x0	dpc, dcsr	EBREAK from non-debug mode executed with dcsr.ebreakm == 1.	
Breakpoint in debug	Debug	1	0	1	X	0x1	0x0	No CSRs updated	EBREAK in debug mode jumps to debug handler.	
Debug Trigger Match	Debug	1	0	1	X	0x2	0x0	dpc, dcsr	Debug trigger address match with mcontrol.timing = 0.	
Single step	Debug	1	X	1	X	0x4	X	dpc, dcsr	Single step.	

## Interrupts

Interrupts are seen by RVFI as happening between instructions. This means that neither the last instruction before the interrupt nor the first instruction of the interrupt handler will signal any direct side-effects. The first instruction of the handler will however show the resulting state caused by these side-effects (e.g. the CSR rmask/rdata signals will show the updated values, pc\_rdata will be at the interrupt handler address etc.).

```
output rvfi_intr_t[NRET - 1 : 0] rvfi_intr
```

Where the rvfi\_intr\_t struct contains the following fields:

Table 18.4: RVFI intr type

Field	Type	Bits
intr	logic	[0]
exception	logic	[1]
interrupt	logic	[2]
cause	logic [10:0]	[13:3]

rvfi\_intr consists of 14 bits. rvfi\_intr.intr is set for the first instruction of the trap handler when encountering an exception or interrupt. rvfi\_intr.exception indicates it was caused by synchronous trap and rvfi\_intr.interrupt indicates it was caused by an interrupt. rvfi\_intr.cause signals the cause for entering the trap handler.

Table 18.5: Table of scenarios for first instruction of exception/interrupt/debug handler

Scenario	rvfi_intr				rvfi_intr.cause	rvfi_intr.exception	rvfi_intr.interrupt	rvfi_intr.cause[13:6] (cause)
	intr	ex-ception	in-terrupt	cause				
Synchronous trap	1	1	0	Sync trap cause	0x0	0	-	-
Interrupt (includes NMIs from bus errors)	1	0	1	Inter-rupt cause	0x0	1	-	-
Debug entry due to EBREAK (from non-debug mode)	0	0	0	0x0	0x1	-	-	0x1
Debug entry due to EBREAK (from debug mode)	0	0	0	0x0	0x1	-	-	-
Debug entry due to trigger match	0	0	0	0x0	0x2	-	-	0x2
Debug entry due to external debug request	X	X	X	X	0x3 or 0x5	X	-	0x3 or 0x5
Debug handler entry due to single step	X	X	X	X	0x4	X	-	0x4

**Note:** In above table the - symbol indicates an unchanged value. The X symbol indicates that multiple values are possible.

**Note:** rvfi\_intr is not set for debug traps unless a debug entry happens during the first instruction of a trap handler (see rvfi\_intr == X in the table above). In this case CSR side-effects (to mepc and mcause) can be expected as well.

### Program Counter

The pc\_wdata signal shows the predicted next program counter. This prediction ignores asynchronous traps (asynchronous debug requests and interrupts) and single step debug requests that may have happened at the same time as the

instruction.

### Memory Access

For CV32E40S, the `rvfi_mem` interface has been expanded to support multiple memory operations per instruction. The new format of the `rvfi_mem` signals can be seen in the code block below.

```
output [NRET * NMEM * XLEN - 1 : 0] rvfi_mem_addr
output [NRET * NMEM * XLEN/8 - 1 : 0] rvfi_mem_rmask
output [NRET * NMEM * XLEN/8 - 1 : 0] rvfi_mem_wmask
output [NRET * NMEM * XLEN - 1 : 0] rvfi_mem_rdata
output [NRET * NMEM * XLEN - 1 : 0] rvfi_mem_wdata
```

Instructions will populate the `rvfi_mem` outputs with incrementing `NMEM`, starting at `NMEM=1`.

Instructions with a single memory operation (e.g. all RV32I instructions), including split misaligned transfers, will only use `NMEM = 1`. Instructions with multiple memory operations (e.g. the push and pop instructions from `Zcmp`) use `NMEM > 1` in case multiple memory operations actually occur.

For cores as CV32E40S that support misaligned access `rvfi_mem_addr` will not always be 4 byte aligned. For misaligned accesses the start address of the transfer is reported (i.e. the start address of the first sub-transfer).

### CSR Signals

To reduce the number of signals in the RVFI interface, a vectorized CSR interface has been introduced for register ranges.

```
output [<NUM_CSRNAME>-1:0] [NRET * XLEN - 1 : 0] rvfi_csr_<csrname>_rmask
output [<NUM_CSRNAME>-1:0] [NRET * XLEN - 1 : 0] rvfi_csr_<csrname>_wmask
output [<NUM_CSRNAME>-1:0] [NRET * XLEN - 1 : 0] rvfi_csr_<csrname>_rdata
output [<NUM_CSRNAME>-1:0] [NRET * XLEN - 1 : 0] rvfi_csr_<csrname>_wdata
```

Example:

```
output [31:0] [31:0] rvfi_csr_name_rmask
output [31:0] [31:0] rvfi_csr_name_wmask
output [31:0] [31:0] rvfi_csr_name_rdata
output [31:0] [31:0] rvfi_csr_name_wdata
```

Instead of:

```
output [31:0] rvfi_csr_name0_rmask
output [31:0] rvfi_csr_name0_wmask
output [31:0] rvfi_csr_name0_rdata
output [31:0] rvfi_csr_name0_wdata
. . .
output [31:0] rvfi_csr_name31_rmask
output [31:0] rvfi_csr_name31_wmask
output [31:0] rvfi_csr_name31_rdata
output [31:0] rvfi_csr_name31_wdata
```

### CSR `mnxti`

CSR accesses to the `mnxti` CSR do a read-modify-write on the `mstatus` CSR, and return a pointer address if there is a pending non-SHV CLIC interrupt. If there is a pending non-SHV CLIC interrupt, it also updates `mintstatus` and `mcause`. To reflect this behavior, the `rvfi_csr_mnxti*` outputs for `mnxti` have a different semantic than other CSRs.

The `rvfi_csr_mnxti*` is reported as follows on RVFI:

- The `rmask` will always be all ones as for other CSRs.
- The `wmask` will be all ones whenever the CSR instruction actually writes to `mstatus`.
- The `wdata` will be the data written to `mstatus`.
- The `rdata` will report a pointer address if an interrupt is pending, or 0 if no interrupt is pending.

Note that the `rvfi_csr_mstatus*` will also reflect the access to `mstatus` due to an `mnxti` access. In case the access to `mnxti` returns a valid pointer address, the `rvfi_csr_mintstatus*` and `rvfi_csr_mcause*` will also have values showing the side effects of accessing `mnxti`.

### GPR signals

For CV32E40S, RVFI has been expanded to allow reporting multiple register file operations per instruction (more than two reads and one write). The interface is defined as follows:

```

output [NRET * 32 * XLEN - 1 : 0] rvfi_gpr_rdata
output [NRET * 32 - 1 : 0] rvfi_gpr_rmask
output [NRET * 32 * XLEN - 1 : 0] rvfi_gpr_wdata
output [NRET * 32 - 1 : 0] rvfi_gpr_wmask

```

The outputs `rvfi_gpr_rdata` and `rvfi_gpr_wdata` reflect the entire register file, with each `XLEN` field of the vector representing one GPR, with `[x0]` starting at index `[XLEN - 1 : 0]`, `[x1]` at index `[2*XLEN-1 -: XLEN]` and so on. Each bit in the outputs `rvfi_gpr_rmask` and `rvfi_gpr_wmask` indicates if a GPR has been read or written during an instruction. The index of the bit indicates the address of the GPR accessed. Entries in `rvfi_gpr_rdata` and `rvfi_gpr_wdata` are only considered valid if the corresponding bit in the `rvfi_gpr_rmask` or `rvfi_gpr_wmask` is set.

### Machine Counter/Timers

In contrast to [SYMBIOTIC-RVFI], the `mcycle[h]` and `minstret[h]` registers are not modelled as happening “between instructions” but rather as a side-effect of the instruction. This means that an instruction that causes an increment (or decrement) of these counters will set the `rvfi_csr_mcycle_wmask`, and that `rvfi_csr_mcycle_rdata` is not necessarily equal to `rvfi_csr_mcycle_wdata`.

### Halt Signal

The `rvfi_halt` signal is meant for liveness properties of cores that can halt execution. It is only needed for cores that can lock up. Tied to 0 for RISC-V compliant cores.

### Mode Signal

The `rvfi_mode` signal shows the *current* privilege mode as opposed to the *effective* privilege mode of the instruction. I.e. for load and store instructions the reported privilege level will therefore not depend on `mstatus.mpp` and `mstatus.mprv`.

## 18.3 Trace output file

Tracing can be enabled during simulation by defining `CV32E40S_TRACE_EXECUTION`. All traced instructions are written to a log file. The log file is named `trace_rvfi.log`.

## 18.4 Trace output format

The trace output is in tab-separated columns.

1. **PC**: The program counter
2. **Instr**: The executed instruction (base 16). 32 bit wide instructions (8 hex digits) are uncompressed instructions, 16 bit wide instructions (4 hex digits) are compressed instructions.
3. **rs1\_addr** Register read port 1 source address, 0x0 if not used by instruction
4. **rs1\_data** Register read port 1 read data, 0x0 if not used by instruction
5. **rs2\_addr** Register read port 2 source address, 0x0 if not used by instruction
6. **rs2\_data** Register read port 2 read data, 0x0 if not used by instruction
7. **rd\_addr** Register write port 1 destination address, 0x0 if not used by instruction
8. **rd\_data** Register write port 1 write data, 0x0 if not used by instruction
9. **mem\_addr** Memory address for instructions accessing memory
10. **rvfi\_mem\_rmask** Bitmask specifying which bytes in `rvfi_mem_rdata` contain valid read data
11. **rvfi\_mem\_wmask** Bitmask specifying which bytes in `rvfi_mem_wdata` contain valid write data
12. **rvfi\_mem\_rdata** The data read from memory address specified in `mem_addr`
13. **rvfi\_mem\_wdata** The data written to memory address specified in `mem_addr`

PC	Instr	rs1_addr	rs1_rdata	rs2_addr	rs2_rdata	rd_addr	rd_wdata	mem_
↪00001f9c	14c70793	0e	000096c8	0c	00000000	0f	00009814	↪
↪00009814		0	00000000	00000000				
↪00001fa0	14f72423	0e	000096c8	0f	00009814	00	00000000	↪
↪00009810		0	f	00000000	00009814			
↪00001fa4	0000bf6d	1f	00000000	1b	00000000	00	00000000	↪
↪00001fa6		0	00000000	00000000				
↪00001f5e	000043d8	0f	00009814	04	00000000	0e	00000000	↪
↪00009818		f	00000000	00000000				
↪00001f60	0000487d	00	00000000	1f	00000000	10	0000001f	↪
↪0000001f		0	00000000	00000000				



## CORE-V INSTRUCTION SET EXTENSIONS

### 19.1 Custom instructions

CV32E40S supports the custom instruction(s) listed in [Table 19.1](#).

Table 19.1: Custom instructions

Custom instruction	Encoding	Description
wfe	0x8C00_00	Wait For Event, see <i>WFE</i> .

### 19.2 Custom CSRs

CV32E40S supports the custom CSRs listed in [Table 14.2](#).





## CORE VERSIONS AND RTL FREEZE RULES

The CV32E40S is defined by the `marchid` and `mimpid` tuple. The tuple identify which sets of parameters have been verified by OpenHW Group, and once RTL Freeze is achieved, no further non-logically equivalent changes are allowed on that set of parameters.

The RTL Freeze version of the core is indentified by a GitHub tag with the format `cv32e40s_vMAJOR.MINOR.PATCH` (e.g. `cv32e40s_v1.0.0`). In addition, the release date is reported in the documentation.

### 20.1 What happens after RTL Freeze?

#### 20.1.1 A bug is found

If a bug is found that affect the already frozen parameter set, the RTL changes required to fix such bug are non-logically equivalent by definition. Therefore, the RTL changes are applied only on a different `mimpid` value and the bug and the fix must be documented. These changes are visible by software as the `mimpid` has a different value. Every bug or set of bugs found must be followed by another RTL Freeze release and a new GitHub tag.

#### 20.1.2 RTL changes on non-verified yet parameters

If changes affecting the core on a non-frozen parameter set are required, then such changes must remain logically equivalent for the already frozen set of parameters (except for the required `mimpid` update), and they must be applied on a different `mimpid` value. They can be non-logically equivalent to a non-frozen set of parameters. These changes are visible by software as the `mimpid` has a different value. Once the new set of parameters is verified and achieved the sign-off for RTL freeze, a new GitHub tag and version of the core is released.

#### 20.1.3 PPA optimizations and new features

Non-logically equivalent PPA optimizations and new features are not allowed on a given set of RTL frozen parameters (e.g., a faster divider). If PPA optimizations are logically-equivalent instead, they can be applied without changing the `mimpid` value (as such changes are not visible in software). However, a new GitHub tag should be released and changes documented.

## 20.2 Released core versions

The verified parameter sets of the core, their implementation version, GitHub tags, and dates are reported here.

## GLOSSARY

- **ALU**: Arithmetic/Logic Unit
- **ASIC**: Application-Specific Integrated Circuit
- **Byte**: 8-bit data item
- **CPU**: Central Processing Unit, processor
- **CSR**: Control and Status Register
- **Custom extension**: Non-Standard extension to the RISC-V base instruction set (RISC-V Instruction Set Manual, Volume I: User-Level ISA)
- **EXE**: Instruction Execute
- **FPGA**: Field Programmable Gate Array
- **FPU**: Floating Point Unit
- **Halfword**: 16-bit data item
- **Halfword aligned address**: An address is halfword aligned if it is divisible by 2
- **ID**: Instruction Decode
- **IF**: Instruction Fetch (*Instruction Fetch*)
- **ISA**: Instruction Set Architecture
- **KGE**: kilo gate equivalents (NAND2)
- **LSU**: Load Store Unit (*Load-Store-Unit (LSU)*)
- **M-Mode**: Machine Mode (RISC-V Instruction Set Manual, Volume II: Privileged Architecture)
- **NMI**: Non-Maskable Interrupt
- **OBI**: Open Bus Interface
- **PC**: Program Counter
- **PMA**: Physical Memory Attribution
- **PMP**: Physical Memory Protection
- **ePMP**: Enhanced Physical Memory Protection
- **PULP platform**: Parallel Ultra Low Power Platform (<<https://pulp-platform.org>>)
- **RV32C**: RISC-V Compressed (C extension)
- **RV32F**: RISC-V Floating Point (F extension)
- **SIMD**: Single Instruction/Multiple Data

- **Standard extension:** Standard extension to the RISC-V base instruction set (RISC-V Instruction Set Manual, Volume I: User-Level ISA)
- **WARL:** Write Any Values, Reads Legal Values
- **WB:** Write Back of instruction results
- **WLRL:** Write/Read Only Legal Values
- **Word:** 32-bit data item
- **Word aligned address:** An address is word aligned if it is divisible by 4
- **WPRI:** Reserved Writes Preserve Values, Reads Ignore Values

## BIBLIOGRAPHY

- [RISC-V-UNPRIV] RISC-V Instruction Set Manual, Volume I: User-Level ISA, Document Version 20191213 (December 13, 2019), <https://github.com/riscv/riscv-isa-manual/releases/download/Ratified-IMAFDQC/riscv-spec-20191213.pdf>
- [RISC-V-PRIV] RISC-V Instruction Set Manual, Volume II: Privileged Architecture, Document Version 20211105-signoff (November 5, 2021), <https://github.com/riscv/riscv-isa-manual/releases/download/draft-20211105-c30284b/riscv-privileged.pdf>
- [RISC-V-DEBUG] RISC-V Debug Support, version 1.0.0-STABLE, fe3d1e65efed4b56574c50867830c3c499f9b18c, <https://github.com/riscv/riscv-debug-spec/blob/b659d7dc7f578e1a2a76f9e62a5eec0f2d80045c/riscv-debug-stable.pdf>
- [RISC-V-SMCLIC] “Smcllic” Core-Local Interrupt Controller (CLIC) RISC-V Privileged Architecture Extension, version 0.9-draft, 3/15/2022, <https://github.com/riscv/riscv-fast-interrupt/blob/af247be97888f759c61a00800f86171f28151820/clic.pdf>
- [RISC-V-SMSTATEEN] RISC-V State Enable Extension, Smstateen, Version 0.6.3-70b1471, 2021-10-13: frozen, <https://github.com/riscv/riscv-state-enable/releases/download/v0.6.3/Smstateen.pdf>
- [RISC-V-ZBA\_ZBB\_ZBC\_ZBS] RISC-V Bit Manipulation ISA-extensions, Version 1.0.0-38-g865e7a7, 2021-06-28, <https://github.com/riscv/riscv-bitmanip/releases/download/1.0.0/bitmanip-1.0.0-38-g865e7a7.pdf>
- [RISC-V-ZCA\_ZCB\_ZCMB\_ZCMP\_ZCMT] RISC-V Standard Extension for the **Zca**, **Zcb**, **Zcmb**, **Zcmp**, **Zcmt** subsets of **Zc**, v0.70.5 (not ratified yet), <https://github.com/riscv/riscv-code-size-reduction/blob/cd13c6b17ccb7e1b8fc8b69e76179b339bcc2b32/Zc-specification/Zc.adoc>
- [RISC-V-SMEPMP] PMP Enhancements for memory access and execution prevention on Machine mode, version 1.0, 12/2021, <https://github.com/riscv/riscv-tee/blob/b20fda89e8e05605ca943af5897c0bb7f4db9841/Smepmp/Smepmp.pdf>
- [RISC-V-CRYPTO] RISC-V Cryptography Extensions Volume I, Scalar & Entropy Source Instructions, Version v1.0.0, 2<sup>nd</sup> December, 2021: Ratified, <https://github.com/riscv/riscv-crypto/releases/download/v1.0.0-scalar/riscv-crypto-spec-scalar-v1.0.0.pdf>
- [OPENHW-OBI] OpenHW Open Bus Interface (OBI) protocol, version 1.5.0, <https://github.com/openhwgroup/core-v-docs/blob/master/cores/obi/OBI-v1.5.0.pdf>
- [SYMBIOTIC-RVFI] Symbiotic EDA RISC-V Formal Interface <https://github.com/SymbioticEDA/riscv-formal/blob/master/docs/rvfi.md>